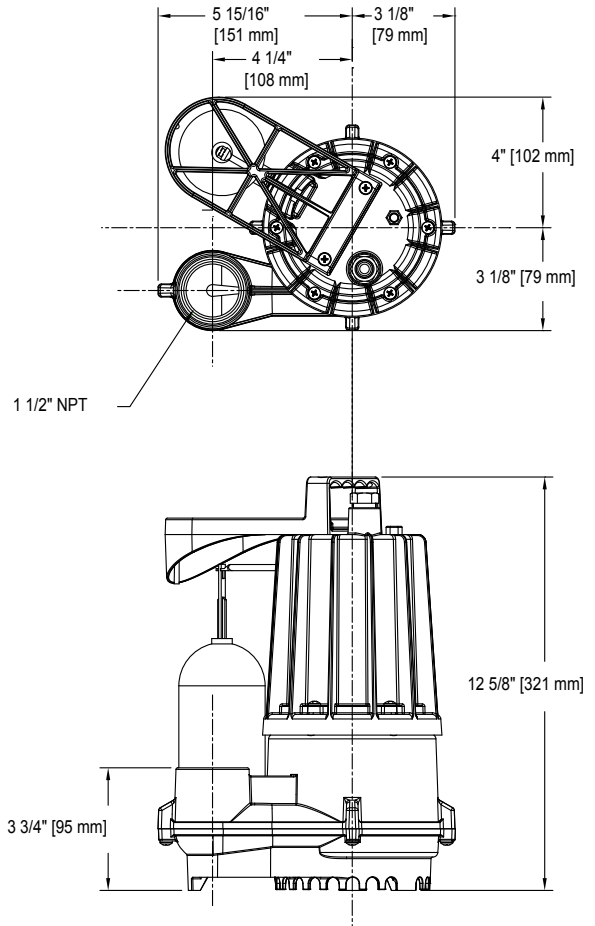


Product information presented here reflects conditions at time of publication. Consult factory regarding discrepancies or inconsistencies.

## TECHNICAL DATA SHEET AQUA-MATE SERIES Model 76 Submersible Dewatering Pump

### PRODUCT SPECIFICATIONS

<b>MOTOR</b>	Horse Power	1/2
	Voltage	115
	Phase	1 Ph
	Hertz	60 Hz
	RPM	3400
	Type	Permanent split capacitor
	Insulation	Class B
	Amps	5.0
<b>PUMP</b>	Operation	Automatic or nonautomatic
	Auto On/Off Points	8-1/2" (21.6 cm) / 3-5/8" (9.2 cm)
	Discharge Size	1-1/2" NPT
	Solids Handling	3/8" (9 mm) spherical solids
	Cord Length	9' (3 m) standard
	Cord Type	UL listed, 3-wire, cord and plug
	Max. Head	25' (7.6 m)
	Max. Flow Rate	50 GPM (189 LPM)
	Max. Operating Temp.	110° F (43° C)
	Cooling	Oil free
Motor Protection	Auto reset thermal overload	
<b>MATERIALS</b>	Motor Housing	Engineered plastic
	Pump Housing	Engineered plastic
	Base	Engineered plastic
	Upper Bearing	Ball bearing
	Lower Bearing	Ball bearing
	Mechanical Seals	Carbon and ceramic
	Impeller Type	Non-clogging vortex
	Impeller	Engineered plastic
	Hardware	Stainless steel
	Motor Shaft	410 stainless steel
Gasket	Buna-N o-ring	



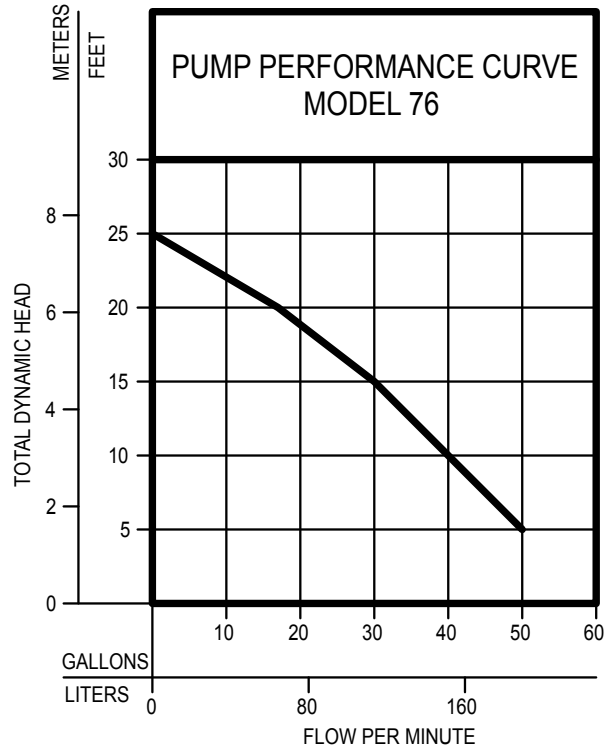
SK1979

NOTE: See model comparison chart for specific details.



**TOTAL DYNAMIC HEAD  
FLOW PER MINUTE**

MODEL		76	
Feet	Meters	Gal.	Liters
5	1.5	50	189
10	3.0	40	151
15	4.6	30	114
20	6.1	17	64
Shut-off Head:		25 ft. (7.6 m)	



013436

Model	MODEL COMPARISON										
	Seal	Mode	Volts	Ph	Amps	HP	Hz	Lbs	Kg	Simplex	Duplex
M76	Single	Auto	115	1	5.0	1/2	60	12	5	1	3
N76	Single	Non	115	1	5.0	1/2	60	12	5	2	2 & 3

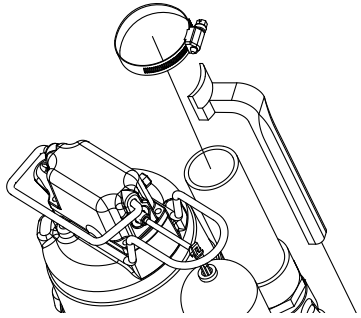
**SELECTION GUIDE**

1. Integral float-operated mechanical switch, no external control required.
2. Single piggyback variable level float switch or double piggyback variable level float switch. Refer to FM0477.
3. See FM1663 for a residential alternator system.

**OPTIONAL PUMP STAND P/N 10-2421**

- Reduces potential clogging by debris
- Replaces rocks or bricks under the pump
- Made of durable, noncorrosive ABS
- Raises pump 2" (5 cm) off bottom of basin
- Provides the ability to raise intake by adding sections of 1½" or 2" (DN40 or DN50) PVC piping
- Attaches securely to pump
- Accommodates sump, dewatering and effluent applications

NOTE: Make sure float is free from obstruction.



**CAUTION** All installation of controls, protection devices and wiring should be done by a qualified licensed electrician. All electrical and safety codes should be followed including the most recent National Electrical Code (NEC) and the Occupational Safety and Health Act (OSHA).