

## Clean Dry® High Speed Hand Dryer

### FEATURES

- High speed hand dryer
- Hygienic, touch-free operation
- Durable aluminium construction
- Low Operating noise 55dB(A)
- Energy Efficient 390W
- AC powered

### COLORS/FINISHES

- #SV Silver

### CODES/STANDARDS

- Meets or exceeds ANSI/UL 507, 9th edition, Rev. June 18th 2012 and CSA C22.2 No. 113-12 Oct 2012.
- Certifications: Intertek/ETL
- Code Compliance: NEC, CEC



### PRODUCT SPECIFICATION

**TOTO Model No. HDR130#SV** shall be a high speed hand dryer. The product shall provide hygienic, touch-free operation. The product shall have operating noise of 55dB(A) or less. The product shall be AC powered and consume 390 W or less.



# HDR130#SV

## Clean Dry® High Speed Hand Dryer

### SPECIFICATIONS

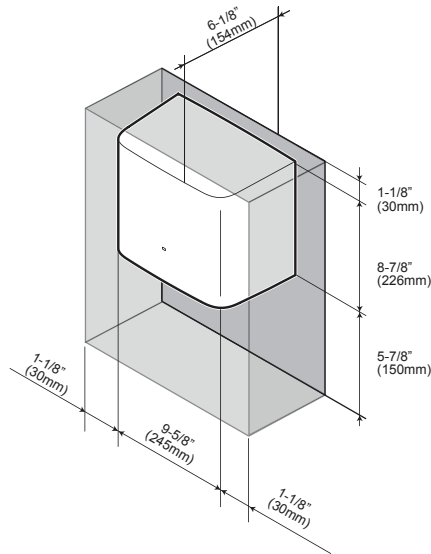
- Warranty One Year Warranty
- Power Connection Hardwired
- Power Rating 120V AC, 3.3Amps, 60 Hz, 390 W
- Power Saving Function Automatically turns OFF when hands are removed or after 30 seconds of use
- Air Speed 221 mph
- Unit Size 9-5/8" x 6-1/8" x 9"  
(245mm x 154mm x 230mm)
- Unit Weight 8.2 lb (3.7 kg)
- Operating Temperature 32F°-113F° (0C°-45C°)
- Shipping Size 11-3/8" x 11-3/8" x 7-1/2"  
(290mm x 289mm x 190mm)
- Shipping Weight 10.6lb (4.8kg)

These dimensions and specifications are subject to change without notice.

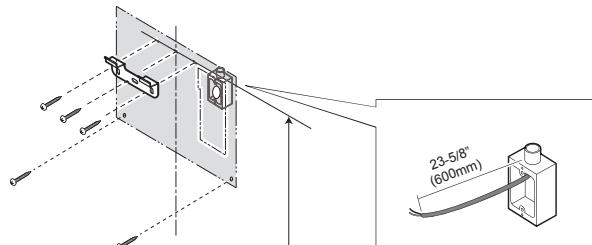
### INSTALLATION NOTES

Check local code requirements for additional mounting height details.

### ROUGH-IN



Keep some empty space around the product. There should be no obstructions within 30 mm from each side, 150 mm from the bottom, 30 mm from the top.



Recommended mounting bracket heights from floor are as follow  
 For general users: 49-3/4" (1265mm)  
 For users in wheel chairs: 42-3/8" (1077mm)  
 For children: 40" (1015mm)



Meets the American Disabilities Act Guidelines, ANSI A117.1 and CSA B651 requirements when mounted in a recessed wall where the front surface is not more than 4" (102mm) from finished wall and mounting height for U.S. is 48" (1219mm) max to blower outlet from floor, and for Canada is 47-1/4" (1200mm) max to blower outlet from floor. Check local code requirements for additional mounting height details.

**TOTO®**

These dimensions and specifications are subject to change without notice