



QZBS-1816 Granite Bar Sink

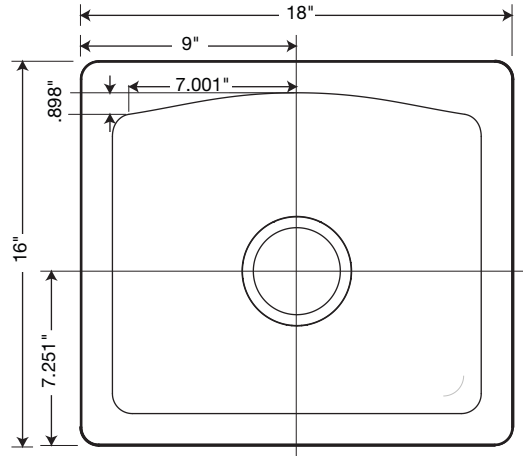
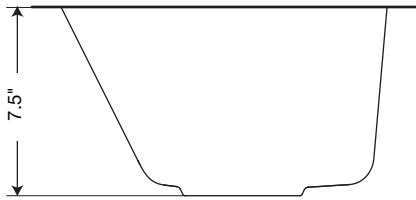
Manufactured from Quartz
(See page 2 for detailed information.)

Recommended for high-use traffic areas and commercial surfaces.

WARRANTY
Limited Lifetime – Residential
Limited 10-year – Commercial

FEATURES

- Made with 80% quartz natural stone, only a diamond is harder.
- Superb heat and scratch resistance.
- Large, deep bowl is beautiful and versatile.
- Ideal as a kitchen island sink.
- Installs as a drop-in or undermount.



Capacity: 3-1/2 gallons

SPECIFICATIONS

QZBS-1816 Granite Bar Sink

Model	Part	Nominal Dimensions	Ship Wt. Lb.	Ship FedEx	Carton Dims. In.	Cu. Ft.
QZBS-1816	QZ01816BS	18" W x 16" D (457 mm x 406 mm)	17	FedEx	21 x 19 x 12	2.88

COLORS

(See inside back cover for color sample.)

- Opal White (210)
- Espresso (170)
- Granito (076)
- Metallico (173)
- Nero (077)

STANDARDS AND RATINGS

American National Standard Institute—ANSI Z124.6
International Association of Plumbing and Mechanical Officials (IAPMO) – listed
cUPC listed – Certified to CSA Standard B45 by IAPMO
Heat resistance to 392°F, 200°C

MAINTENANCE AND CLEANING INFORMATION

Clean your Swan Granite Sink by using warm water and a soft clean cloth, or sponge. Non-abrasive liquid cleaners and detergents can also be used. Hard water, calcium and lime deposits can be removed with white vinegar on a paper towel and rinsing after 20 minutes. To restore luster and extend time between cleanings Granite Cleaner & Polish is recommended. Staining liquids, such as dyes and vegetable juices should be rinsed off as soon as possible. **Do not** use abrasive cleaners, metal-scouring pads, and bleach or alkali cleaners, such as ammonia.

SUPPORT DOCUMENTS

Installation instructions available at swanstone.com.

Undermount clips sold separately. Faucet options are limited to available hole placement. Please contact your dealer for more information.