



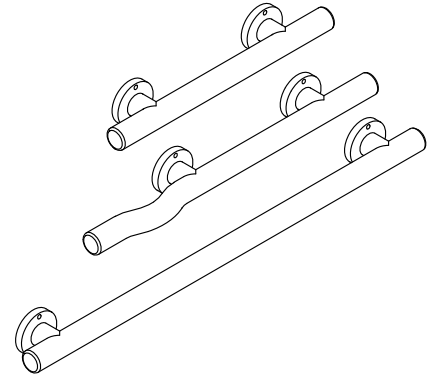
Accord®
ADA Adaptable Grab Bar Kit, Series 7124
71247103

Features

- Includes five stainless steel bars

Recommended Products/Accessories

- 71240118 60" x 30" Smooth Bath/Shower with Backer Boards
- 71240128 60" x 30" AFD Bath/Shower w/Backerboard
- 71141112 60" x 30" AFD Bath
- 71141118 60" x 30" AFD Bath with Backer Board
- 71141122 60" x 30" AFD Bath
- 71141128 60" x 30" AFD Bath with Backer Board
- 71244106 60"x 30" Wall Set with Backer Boards



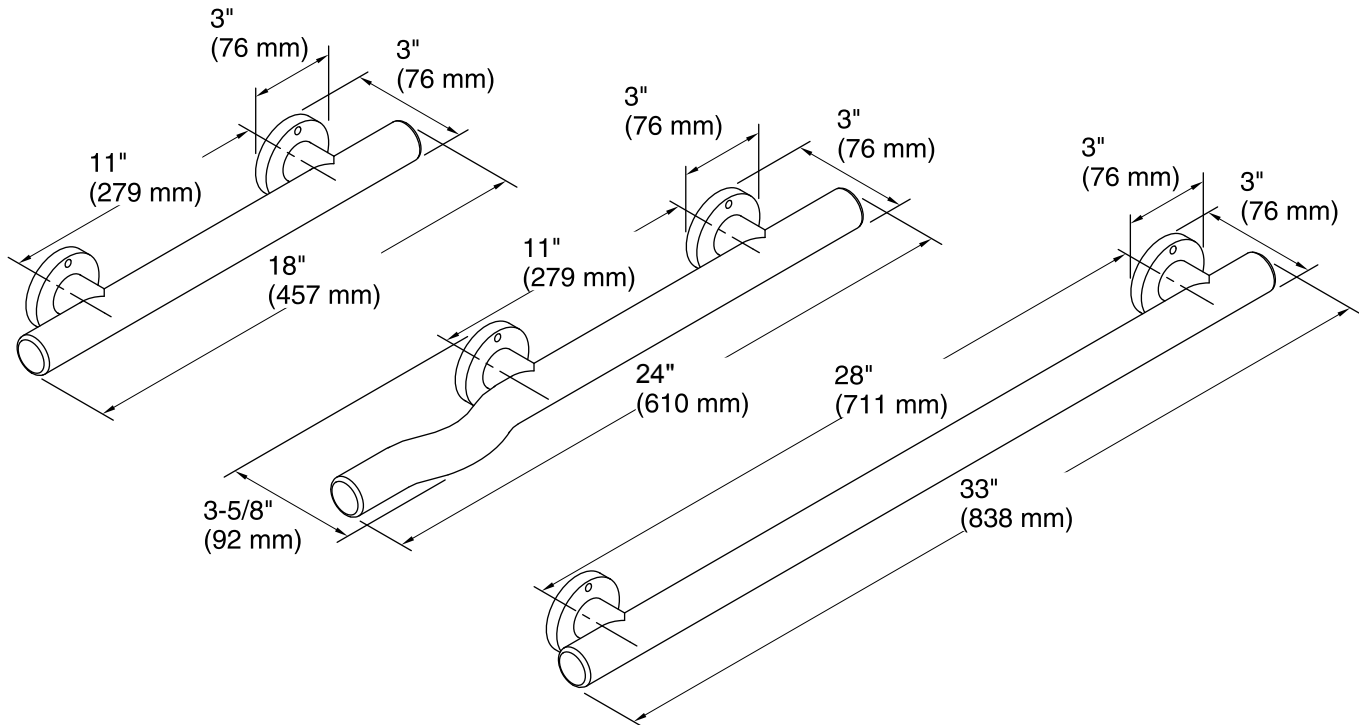
ADA

Codes/Standards

ADA
ICC/ANSI A117.1

STERLING® Warranty - Grab Bars

See website for detailed warranty information.



Technical Information

All product dimensions are nominal.

Notes

Grab bars must be properly installed to adequately support the weight of the user. Obtain backer board locations from the specification sheet for your shower wall model. Use a stud finder to verify backer board locations before installation. ADA compliant when installed to the specific requirements of these regulations.