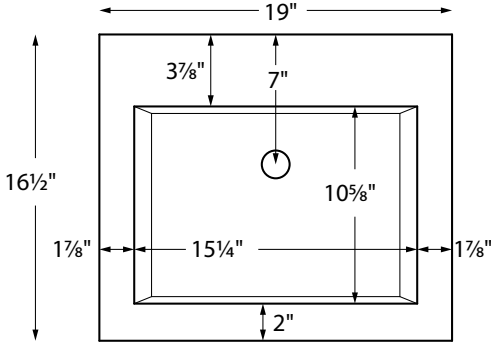
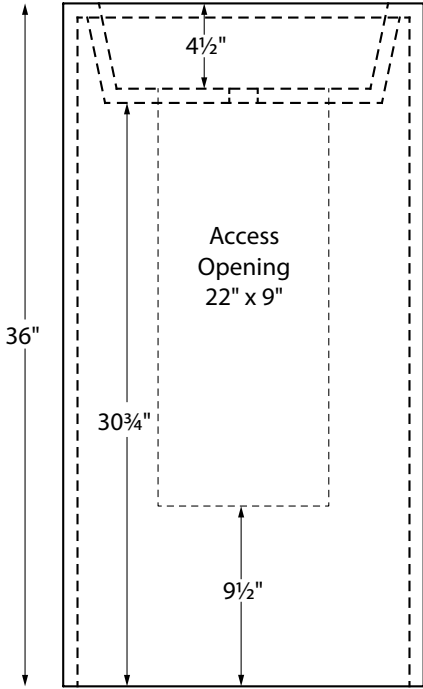


Petra



MODEL CVP802
19" x 17" x 36"
FREESTANDING PEDESTAL
SculptureStone®
230 lbs / 104 kg
Due to the handcrafted nature of this product, allow for a tolerance of up to ±1/2" for overall dimensions



ORDERING AND INSTALLATION

- Allow for a tolerance of up to ±1/2" for overall dimensions
- Specify number of faucet holes on order.
- Includes access opening for faucet and drain installation.
- 1.5" drain opening. Comes without an overflow. Check local codes.
- One-piece construction
- Non-porous, stain-, mold- and mildew- resistant SculptureStone®
- Material is approximately 70% organic
- Five-Year Limited Residential Warranty

• Check for accessories before discarding packaging.
 • All product measurements are ±1/2".
 • Specifications and configurations are subject to change without notice.
 • Measurements herein supersede all others published prior to publication date below.

Finish	Part #	MSRP	Crate / Handling Fee Applies
Matte	CVP802MT	\$5,465	
Gloss	CVP802GL	\$5,995	

Options <small>must be ordered at time of purchase</small>	
Colors <small>must specify on order</small> White (CWH) no charge Biscuit (CBI) \$310	
Optional Integrated Overflow <small>must specify on order</small> Front (SINKIOF) no charge Rear (SINKIOR) no charge	
Faucet Holes <small>must specify on order</small> 1 to 3 Holes (CFH) \$85	
Leveling Feet <small>included</small> 4 leveling feet no charge	
Accessories	
Teak Sink Tray Slatted (TKST1) \$190 Solid (TKST2) \$220	
Packaging / Handling Fee Applies	
Sink Bottom Cover Colors White (CWH) Biscuit (CBIN) Finish Matte (BCSMT) \$280 Gloss (BCSGL) \$390	
Exterior Color / Finish Upcharge <small>must specify color code</small> Finish Matte (SSCOLSBM) \$260 Gloss (SSCOLSBG) \$260	

Drain Kit *Ships with sink*

- Finger Touch Drain Without Overflow**
 Chrome (DKFGCN) **\$185**
 Brushed Nickel (DKFGBNN) **\$190**
- With Overflow**
 Chrome (DKFGC) **\$185**
 Brushed Nickel (DKFGBN) **\$180**

- Grid Drain Without Overflow**
 Chrome (DKGDCN) **\$115**
 Brushed Nickel (DKGDBNN) **\$180**
- With Overflow**
 Chrome (DKGDC) **\$130**
 Brushed Nickel (DKGDBN) **\$180 Toe Tap**

- Fixed Drain Without Overflow**
 Chrome (DKFDC) **\$300**
- See Product Manual for details.
 MTI's Customer Service
 Monday-Friday 8am-6pm EST
800-783-8827 or service@mtibaths.com

