

Pressure Reducing Valve

Model Number 104198

Features

- Corrosion Resistant Sealed Body and Bonnet
- 100% Factory Tested
- Integral SS Strainer
- Balanced Piston Design
- Internal Thermal Expansion By-Pass
- 100% Manufactured in USA

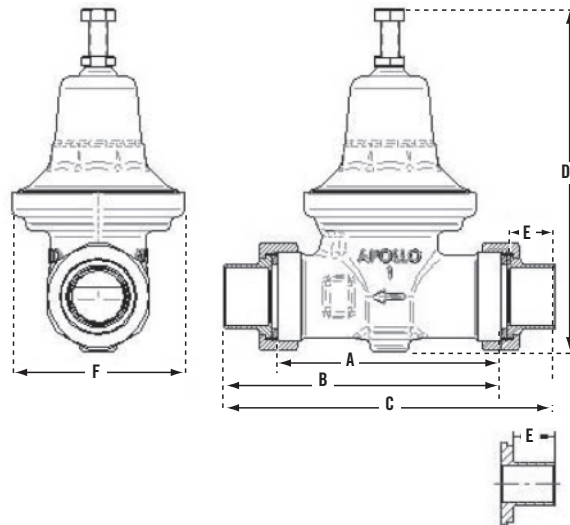
Size

1/2" NPT



Material Specifications

Part Name	Material
Body	Bronze, ASTM B584
Covers	Bronze, ASTM B584
Diaphragm	FDA Grade Buna w/Polyester
Seat Disc	FDA Grade EPDM
Stem	Brass, ASTM B-16
Spring	Stainless Steel
O-Rings	FDA Approved Nitrile



Performance Rating

Maximum Supply Pressure up to 300 psig

Temperature Range 33° F – 180° F

Set Pressure: 15 psig

Approvals



Dimensional Information								
Connect Type	Size (in.)	Dimensions (in.)						Wt. (Union) (lbs. EA)
		A	B	C	D	E	F	
Thread	1/2	4	4 7/8	5 5/8	5 7/8	5/8	2 3/4	3.5

*Nominal dimensions are shown.
Allowances must be made for manufacturer's tolerances.

FOR ILLUSTRATIVE PURPOSES ONLY. IMPORTANT NOTE: FOR SAFE AND TROUBLE FREE INSTALLATION

Before installation visit mrsteam.com to download the Installation, Operation and Maintenance Manual or refer to the manual provided with the unit.

MODEL	PROJECT INFORMATION	
<input type="checkbox"/> 104198	Location:	Contractor:
	Architect:	Submitted By:
	Engineer:	Date:
Notes:		