

Wellton™ Technical Specification

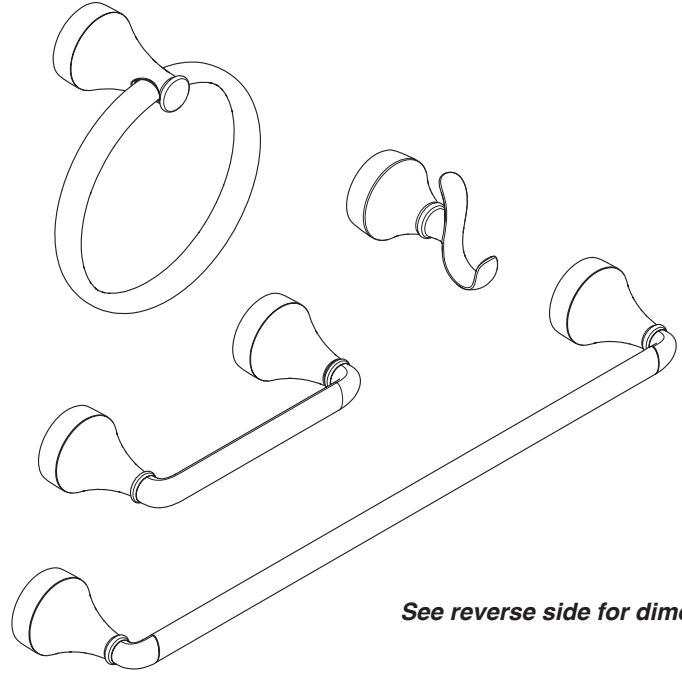
Bathroom Accessory Suite

Y1394

Stock Numbers:

- **Y1394BN – Robe Hook, Pivoting Paper Holder, Towel Ring, and Towel Bar**
Brushed Nickel Finish
- **PY1394BN – Robe Hook, Pivoting Paper Holder, Towel Ring, and Towel Bar**
Brushed Nickel Finish

Dimensions:



See reverse side for dimensions

Materials:

Robe Hook is constructed of zinc.

Pivoting Paper Holder is constructed of zinc.

Towel Bar Posts are constructed of zinc.
Bar is constructed of stainless steel.

Towel Ring Post is constructed of zinc.
Ring is stainless steel.

Installation Instructions:

1. Position the mounting template on the wall in the desired location. Using a level, align the template and tape it to the wall.
2. Remove each mounting plate from the body by loosening the set screw.
3. Place each mounting plate on the template with notch facing down.
4. Mark the 2 large hole locations of each mounting bracket.
5. Attach each mounting bracket to the wall, using the wall anchors provided
6. Mount each base on the corresponding mounting bracket. Check and make sure that the base set screw hole(s) are facing down. Assemble a set screw to each base. Use the allen wrench included in hardware kit to tighten each set screw and secure the assembly to the mounting bracket(s).
7. Tighten all 4 screws. Do not over tighten.
8. Place each post over the mounting plate (set screw down). Pivoting post with bar to be on left side. Tighten both set screws.

Cleaning Instructions:

To preserve the fine finish of this product, clean only with a soft damp cloth. Dry well. Do not use commercial or abrasive cleaners.

Stock Number _____ **Robe Hook Pivoting Paper Holder, Towel Bar, and Towel Ring By Moen Incorporated**

MOEN®

25300 AL MOEN DRIVE • NORTH OLMSTED, OH 44070
CORPORATE HEADQUARTERS: (800) 321-8809 • FAX: (800) 848-6636
INTERNATIONAL: (440) 962-2000 • FAX: (440) 962-2726
CUSTOMER SERVICE (USA): 800-882-0116 • FAX: (888) 379-2720
WWW.MOEN.COM

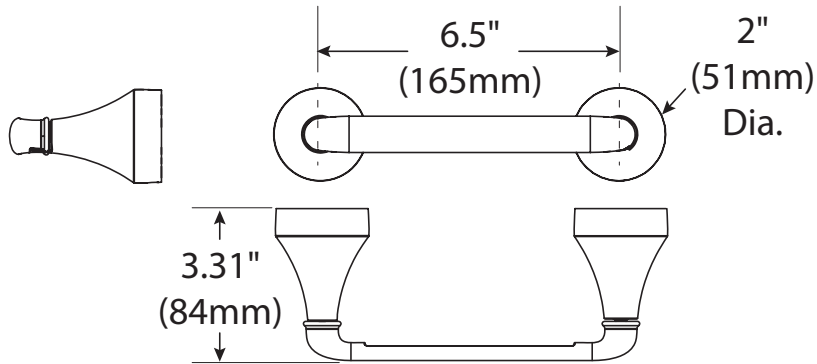
© 2020 Moen Incorporated. Moen is a registered trademark and Wellton is a trademark of Moen Incorporated. All rights reserved.

Wellton™ Technical Specification

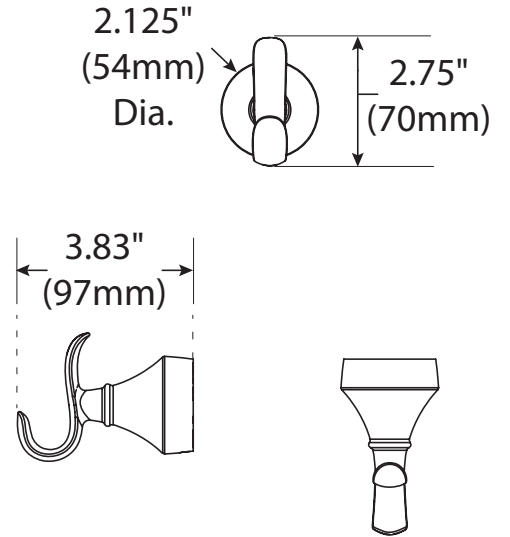
Bathroom Accessory Suite

Y1394

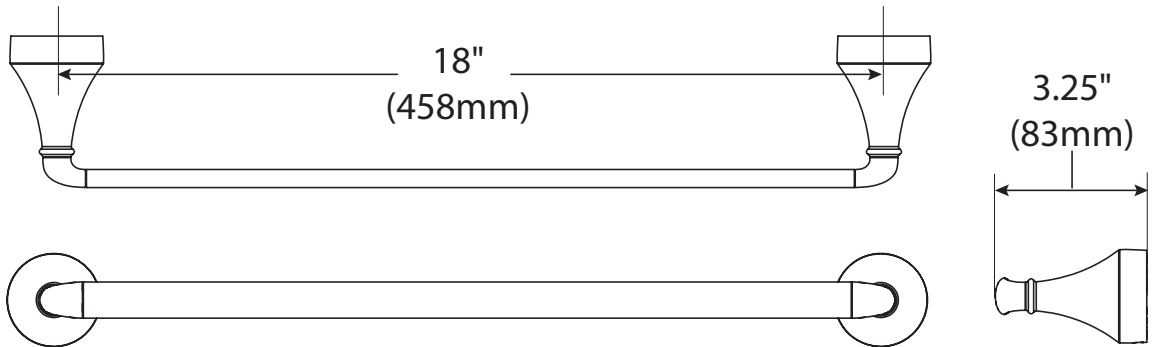
Paper Holder



Robe Hook



Towel Bar



Towel Ring

