

# Hotel / Motel Technical Specification

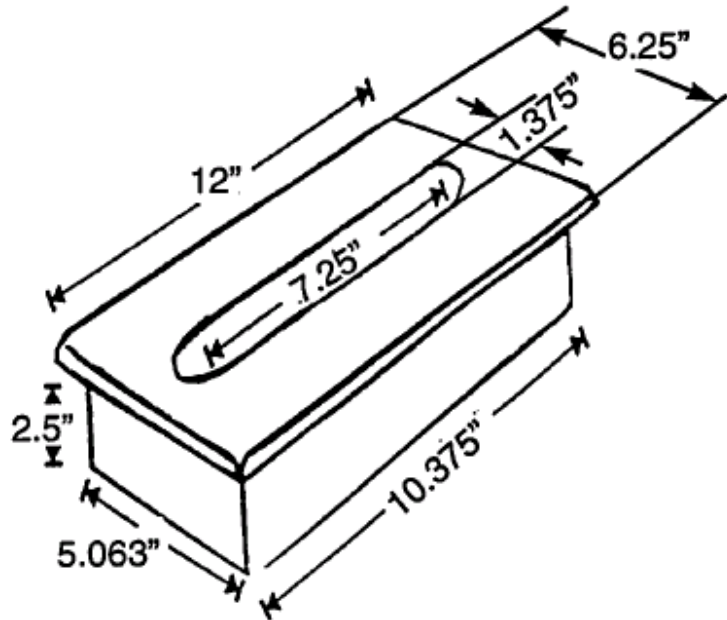
## Recessed Facial Tissue Box

# 5520

### Stock Numbers:

- RR5520SS – Recessed Facial Tissue Box  
Stainless Steel Cover

### Dimensions:



### Materials:

ALL CHROME BATH HARDWARE IS TRIPLE PLATED WITH COPPER, NICKEL AND CHROMIUM FOR LONG LASTING BEAUTY, AND MEET ASTM-B86 STANDARDS.

**Recessed Facial Tissue Box** and snap insert are galvanized steel. Cover is 24 gauge steel with a triple plated polished chrome finish.

### Installation Instructions:

Cut out wall opening of  $10 \frac{3}{8}$ " x  $5 \frac{1}{16}$ " x  $2 \frac{1}{2}$ " depth. If framed in, mount into frame with 1" steel screws. If not framed in, mount box into wall opening with optional 588 wall clamp. Cover snaps into recessed box.

**Stock Number:** \_\_\_\_\_ **Recessed Facial Tissue Box**  
By Creative Specialties



25300 AL MOEN DRIVE • NORTH OLMS TED, OH 44070  
CORPORATE HEADQUARTERS: (800) 321-8809 • FAX: (800) 848-6636  
INTERNATIONAL: (440) 962-2000 • FAX: (440) 962-2726  
CUSTOMER SERVICE (USA): 800-882-0116 • FAX: (888) 379-2720  
WWW.MOEN.COM

©Copyright Creative Specialties International

Literature #BA1661