

Features

- Two-lever handles offer separate control of hot and cold water
- 9" (229 mm) spout reach
- 10.0 gpm (3.8 lpm) maximum flow rate at 45 psi (3.1 bar)
- KOHLER ceramic disc valves exceed industry longevity standards for a lifetime of durable performance
- Coordinates with other products in the Parallel collection

Material

- Premium metal construction for durability and reliability
- KOHLER finishes resist corrosion and tarnishing

Installation

- Wall-mount

Required Products/Accessories

For wall-mount installation

K-20716-K Two-handle wall-mount bath faucet valve

Recommended Products/Accessories

K-23726 Drain treatment

K-23723 Faucet cleaner

K-21897 Double toilet paper holder

K-23524 18" towel bar

K-23525 24" towel bar

K-23526 Towel arm

K-23527 Vertical toilet paper holder

K-23528 Pivoting toilet paper holder

K-23529 Robe hook



ADA CSA B651 OBC

Codes/Standards

ASME A112.18.1/CSA B125.1

ADA

ICC/ANSI A117.1

CSA B651





OBC

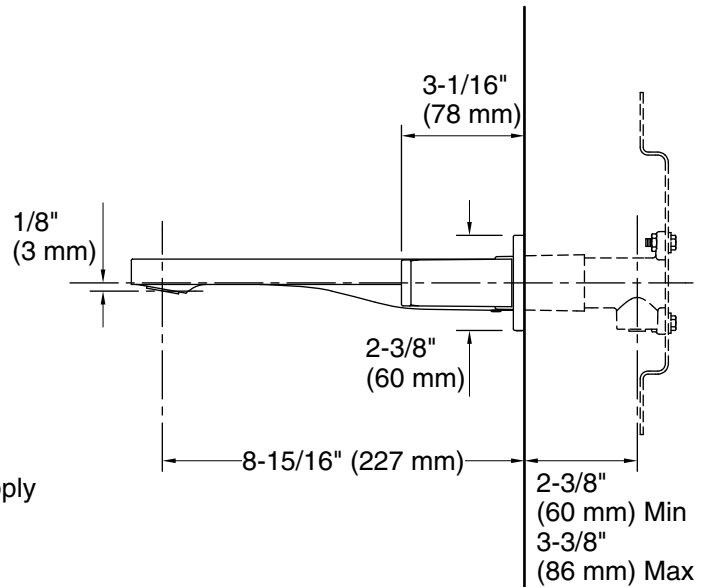
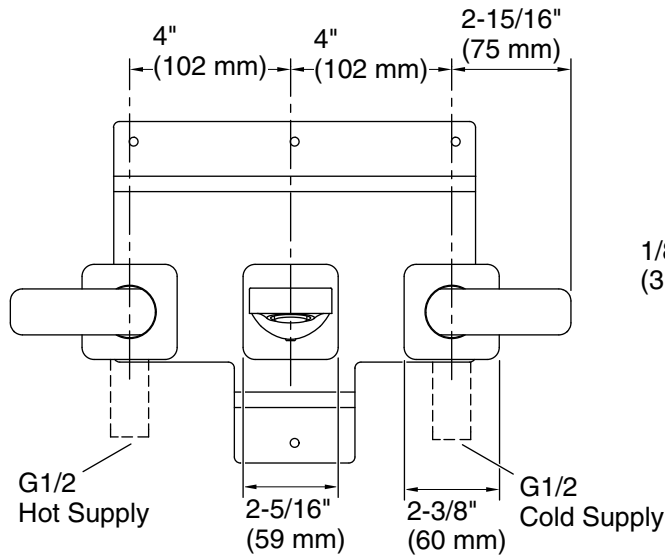
KOHLER® Faucet Lifetime Limited Warranty

See website for detailed warranty information.

Available Colors/Finishes

Color tiles intended for reference only.

Color	Code	Description
	CP	Polished Chrome
	BN	Vibrant® Brushed Nickel
	BL	Matte Black
	2MB	Vibrant® Brushed Moderne Brass



Technical Information

All product dimensions are nominal.

Drain included: No

Spout:

Spout reach: 9" (228 mm)

Notes

Install this product according to the installation instructions.

ADA, OBC, CSA B651 compliant when installed to the specific requirements of these regulations.