

Features

- Decked oval shape creates a graceful and spacious bathing experience.
- Generous 6-foot length provides spacious bathing for up to two people.
- Molded lumbar support and armrests offer extra comfort while bathing.
- Integral apron.
- Integral flange helps prevent water from seeping behind wall and simplifies alcove installation.
- Right-hand drain.

Material

- Acrylic

Installation

- Three-wall alcove.

Additional Hydrotherapy Options

- Soaking Bath - K-1115-RA
- BubbleMassage air bath - K-1114-GRA
- Whirlpool - K-1114-RA
- Whirlpool + heater - K-1114-HR

Recommended Products/Accessories

K-7166-AF Bath Drain

K-11677 Bath Drain



Codes/Standards

CSA B45.5/IAPMO Z124

ASTM E162




ASTM E662

KOHLER® Plastic Baths and Receptors Lifetime Limited Warranty

See website for detailed warranty information.

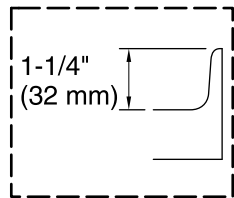
Available Colors/Finishes

Color tiles intended for reference only.

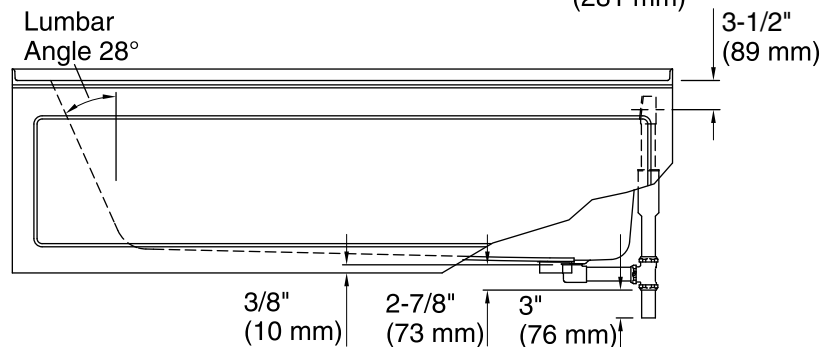
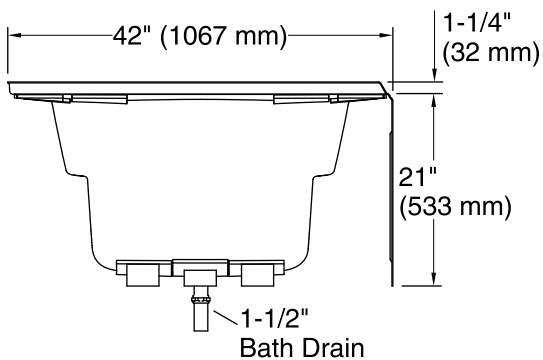
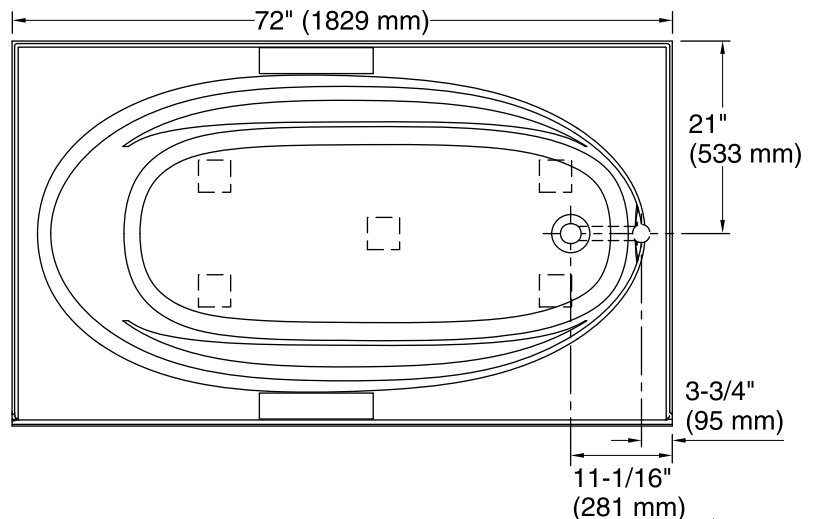
Color	Code	Description
	0	White
	96	Biscuit
	47	Almond

No change in measurements if connected with drain illustrated. (K-11677)

 Recommended Faucet Location



Tile Flange Detail



Technical Information

All product dimensions are nominal.

- Installation: Three-wall alcove
- Drain location: Right
- Basin area, bottom: 55" x 23-1/4" (1397 mm x 591 mm)
- Basin area, top: 64" x 32" (1626 mm x 813 mm)
- Weight: 100 lbs (45.4 kg)
- Minimum floor load: 37 lbs/ft² (180.6 kg/m²)
- Water depth: 15" (381 mm)
- Water capacity: 78.5 gal (297.2 L)
- Minimum flat for door: 3-1/16" (78 mm)

Notes

- Measure your actual product for rough-in details. Install this product according to the installation instructions.
- The hot water supply should be 70% of the capacity of the bath or greater. Installations will vary.
- If installing a rim-mount faucet, make sure there is no interference above or below the deck before drilling any holes.