

Features

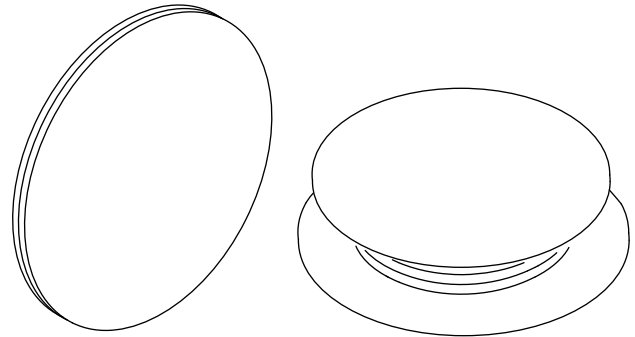
- Metal construction
- Intended to replace existing overflow cover and stopper/drain, flange/toggle linkage
- Toe-tap component installs on most drain bodies with 1-1/2"-11 1/2 NPSM thread
- For KOHLER drains K-7160-AF, K-7160-TF, K-7161-AF, K-7193
- Vibrant PVD finishes available

**RETROFIT TOE-TAP CONVERSION
KIT
K-7142**

Codes/Standards Applicable

Specified model meets or exceeds the following:

- ASME A112.18.1/CSA B125.1



Colors/Finishes

- CP: Polished Chrome
- Other: Refer to Price Book for additional colors/finishes

Specified Model

Model	Description	Colors/Finishes	
		<input type="checkbox"/> CP	<input type="checkbox"/> Other_____
K-7142	Retrofit toe-tap conversion kit	<input type="checkbox"/> CP	<input type="checkbox"/> Other_____

PRODUCT SPECIFICATION

The retrofit toe-tap conversion kit shall be made of metal construction. Kit shall be intended to replace the existing overflow cover and stopper/drain, flange/toggle linkage. Kit shall be for KOHLER drains K-7160-AF, K-7160-TF, K-7161-AF, K-7193. Toe-tap component installs on most drain bodies with a 1-1/2"-11 1/2 NPSM thread. Kit shall be available with Vibrant PVD finishes. Kit shall be Kohler model K-7142-_____.

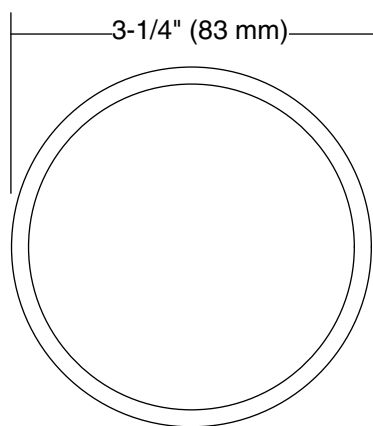
CLEARFLO

Installation Notes

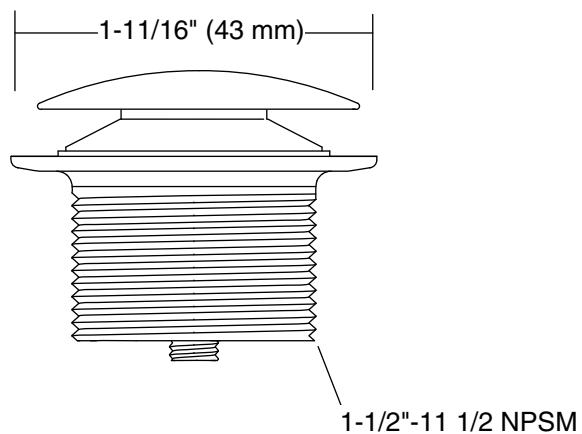
Install this product according to the installation guide.

IMPORTANT! This installation should be performed by a qualified plumber.

IMPORTANT! Provide access to the back of the bath. Removing the existing overflow cover may effect the seal. Inspect the back of the bath for leaks after completing this retrofit installation.



Overflow Cover



Toe-Tap

Product Diagram