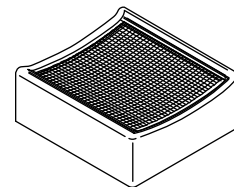
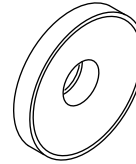


Features

- Spout
 - Brass body construction
 - Easy to access cartridge for cleaning or replacement
 - Available in two orifice sizes to optimize performance
 - Wall- or ceiling-mount
 - 1/2" copper tube sweat connection
 - Pressure compensating flow control
- Drip Tray
 - Brass and stainless steel construction
 - Removable screen for cleaning or replacement

BATH SPOUT
K-922
 ALSO K-923, K-924



Codes/Standards Applicable

Specified model meets or exceeds the following:

- ASME A112.18.1/CSA B125.1

Colors/Finishes

- CP: Polished Chrome
- PB: Vibrant® Polished Brass
- Other: Refer to Price Book for additional colors/finishes

Specified Model

Model	Description	Colors/Finishes		
K-922	*Bath spout (Ø .8" (20 mm) orifice)	<input type="checkbox"/> CP	<input type="checkbox"/> PB	<input type="checkbox"/> Other _____
K-923	*Bath spout (Ø .95" (24 mm) orifice)	<input type="checkbox"/> CP	<input type="checkbox"/> PB	<input type="checkbox"/> Other _____
K-924	Drip tray for use with wall-mount installations	<input type="checkbox"/> CP	<input type="checkbox"/> PB	<input type="checkbox"/> Other _____

* Valve and handles must be ordered to complete faucet.

Product Specification

The laminar bath spout shall be made of brass body construction. Product shall be available in two orifice sizes to optimize performance. Product shall be for wall- or ceiling-mount installation. Product shall feature an easy to access cartridge for cleaning or replacement, a 1/2" copper tube sweat connection, and a pressure compensating flow control. The drip tray shall be made of brass and stainless steel construction. The drip tray shall have a removable screen for cleaning or replacement. Laminar bath spout shall be Kohler Model K-_____-_____. Drip tray shall be Kohler Model K-924-_____.

LAMINAR FLOW

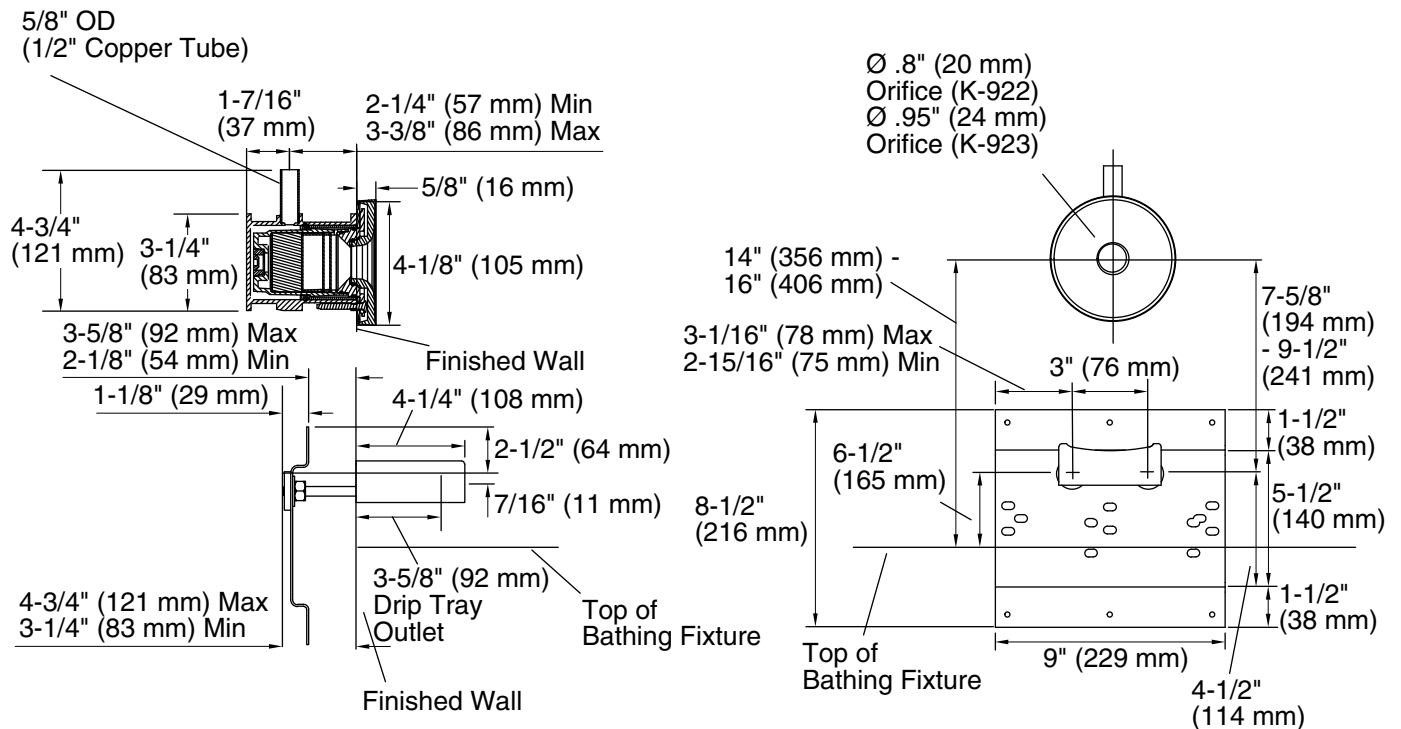
Technical Information

Applicable product:			
Spout	Orifice	Flow Range	Minimum Recommended Kohler supply valve
K-922	Ø .8" (20 mm)	5-10 gal/min (19-38 l/min)	K-302-K OR K-2971-KS OR K-2972-KS OR K-2973-KS
K-923	Ø .95" (24 mm)	7-15 gal/min (26-57 l/min)	K-300-K OR K-300-KS OR K-301-K OR K-682-K OR K-2975-KS OR K-2976-KS
K-924	Drip Tray		Optional

Installation Notes

Install this product according to the installation guide.

For ceiling-mount installation, product must be mounted a maximum of 9' (2.74 m) above the bath/whirlpool floor.



Product Diagram