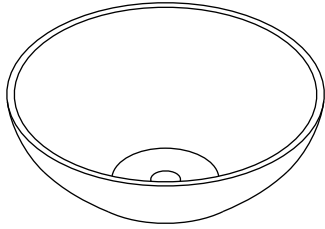
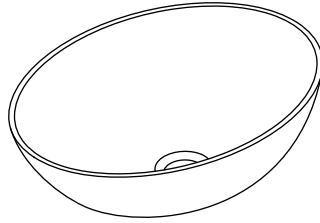


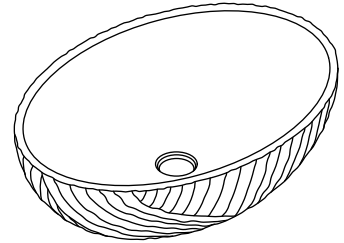
INSTALLATION INSTRUCTIONS



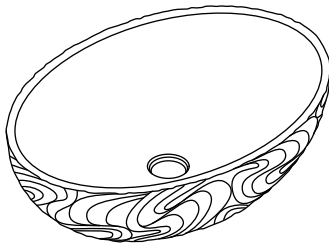
P72060



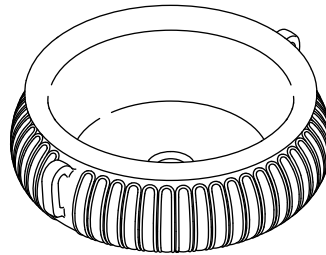
P72061



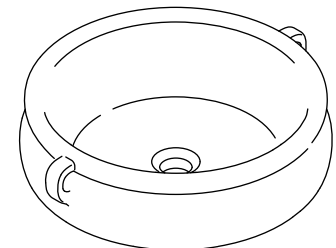
P72064



P72065



P72066



P72067

INSTALLATION INSTRUCTIONS

THANK YOU FOR CHOOSING KALLISTA

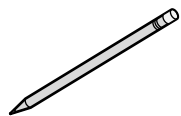
We appreciate your commitment to KALLISTA quality products. Please take a moment to review this manual before you install your KALLISTA product. If you encounter any installation or performance problems, please do not hesitate to contact us at the phone number listed at the bottom of the page.

BEFORE YOU BEGIN

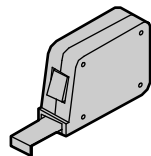
 **CAUTION: Risk of personal injury.** Large sinks are very heavy. Get help lifting the sink into place.

- Prior to installation, unpack the new bathroom sink and inspect it for damage. Return the sink to its protective carton until you are ready to install it.
- Observe all local plumbing and building codes.
- Inspect the drain and supply tubing. Replace if necessary.
- Do not substitute another sealant if one is supplied with this sink.
- This sink is recommended for use with wall-mount faucets.
- The appearance of your product may differ from what is shown in these instructions, however, the installation procedure is the same.
- For Wall-Mount Faucets:** Provide sufficient spout overhang into the sink bowl.
- For Countertop Faucets:** Provide adequate spout and handle clearance when locating the faucet.
- KALLISTA reserves the right to make revisions in the design of products without notice, as specified in the Price Book.

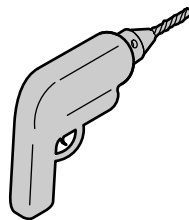
TOOLS AND MATERIALS



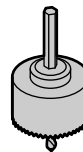
Pencil



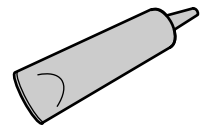
Tape Measure



Drill



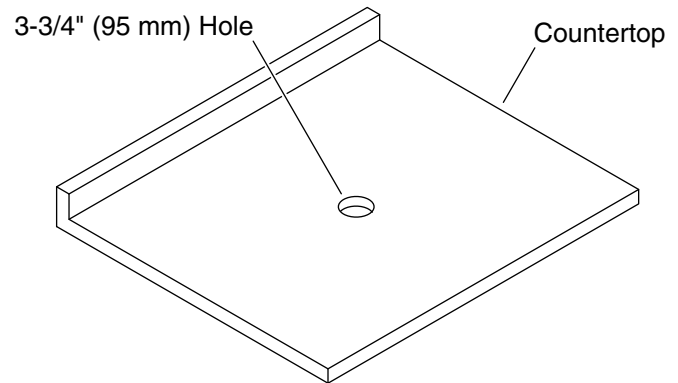
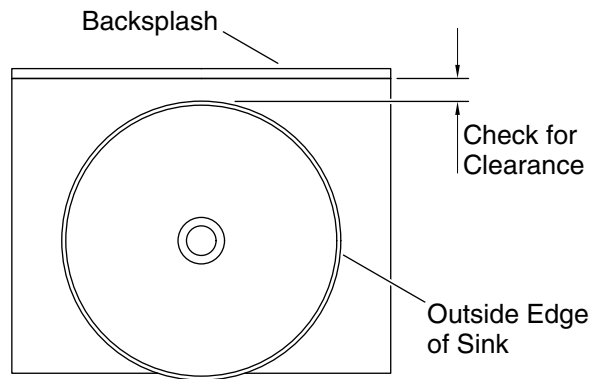
3-3/4" Hole Saw



Adhesive Sealant

INSTALLATION INSTRUCTIONS

1. PREPARATION

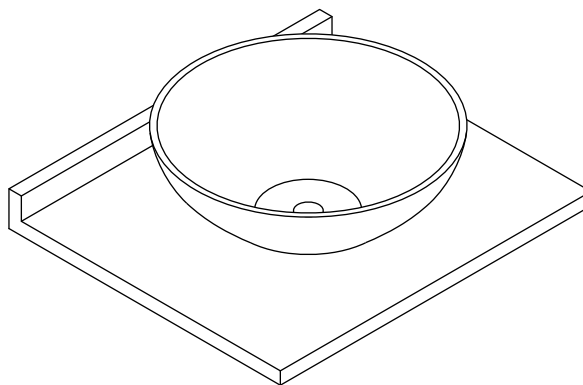
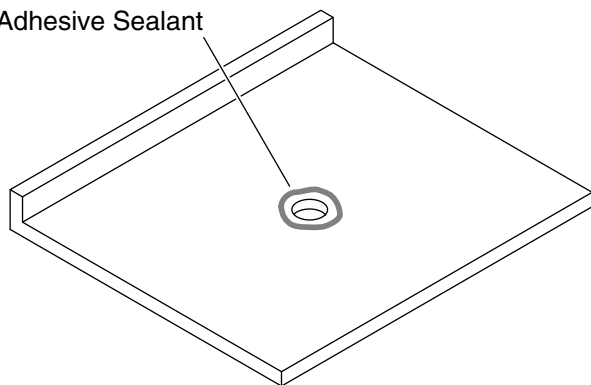


- Install the water supplies and drain piping according to the roughing-in information.
- For Wall-Mount Faucets:** Provide sufficient spout overhang into the sink bowl.
- For Countertop Faucets:** Provide adequate spout and handle clearance when locating the faucet.
- Position the sink on the countertop.
- Check for adequate clearance between the backsplash and the outside edge of the sink.
- Refer to the faucet installation instructions for required clearance, and mark the preferred faucet hole locations using a soft lead pencil.
- Using a pencil, trace the drain opening on the countertop.
- Mark the center of the drain opening, and drill a 3-3/4" (95 mm) hole at the center mark.

INSTALLATION INSTRUCTIONS

2. INSTALL THE SINK

Adhesive Sealant

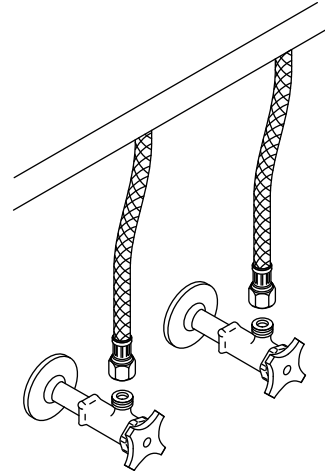
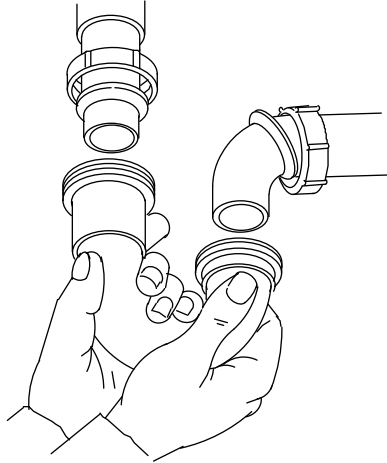


⚠ CAUTION: Risk of personal injury. Large sinks are very heavy. Get help lifting the sink into place.

- Temporarily set the sink into the countertop cutout and check for fit.
- Remove the sink from the countertop cutout.
- Install the faucet according to the manufacturer's instructions.
- Apply a continuous bead of adhesive sealant around the countertop cut-out hole.
- Carefully fit the sink into place over the cut-out hole.
- Wipe away any excess adhesive.
- Allow the adhesive sealant to cure before installing the drain.

INSTALLATION INSTRUCTIONS

3. COMPLETE THE INSTALLATION



- Install and connect the drain to the sink according to the manufacturer's instructions.
- Connect and tighten the trap to the drain, and complete the water supply connections to the faucet according to the instructions packed with the faucet.
- Run water into the sink and check for leaks.
- Clean up with a non-abrasive cleaner.