

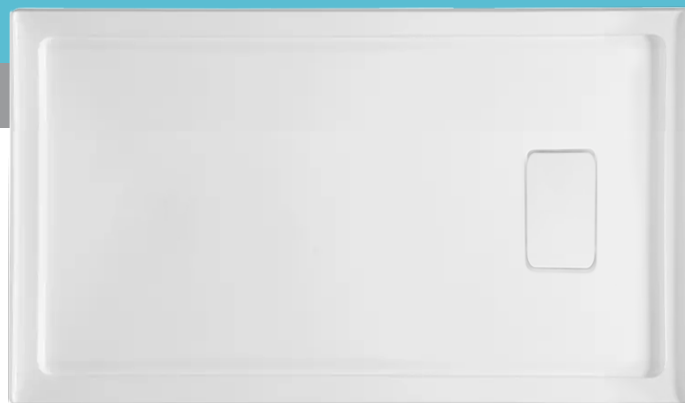


JETTA

JETTA SHOWER BASES

CARTER

(SB--6036) 60" x 36" x 3"



END DRAIN

Carter integrates seamlessly into most bathroom design styles with its clean, smooth lines and molded tile flange.

FEATURES

- High-gloss, high-impact, UV-resistant acrylic that does not dull or fade
- Molded tile flange
- Available in left drain and right drain configurations
- Modern end drain with acrylic cover
- Low 3" threshold for easy entry
- 10-year limited factory warranty

COLOR

- White

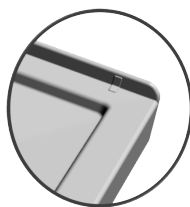
CONFIGURATION



ALCOVE, RIGHT DRAIN
SB--6036R-WT-A



ALCOVE, LEFT DRAIN
SB--6036L-WT-A



Leak-Barrier



Drain sold separately. Item #SBD-PC.
Drain concealed by modern linear cover.

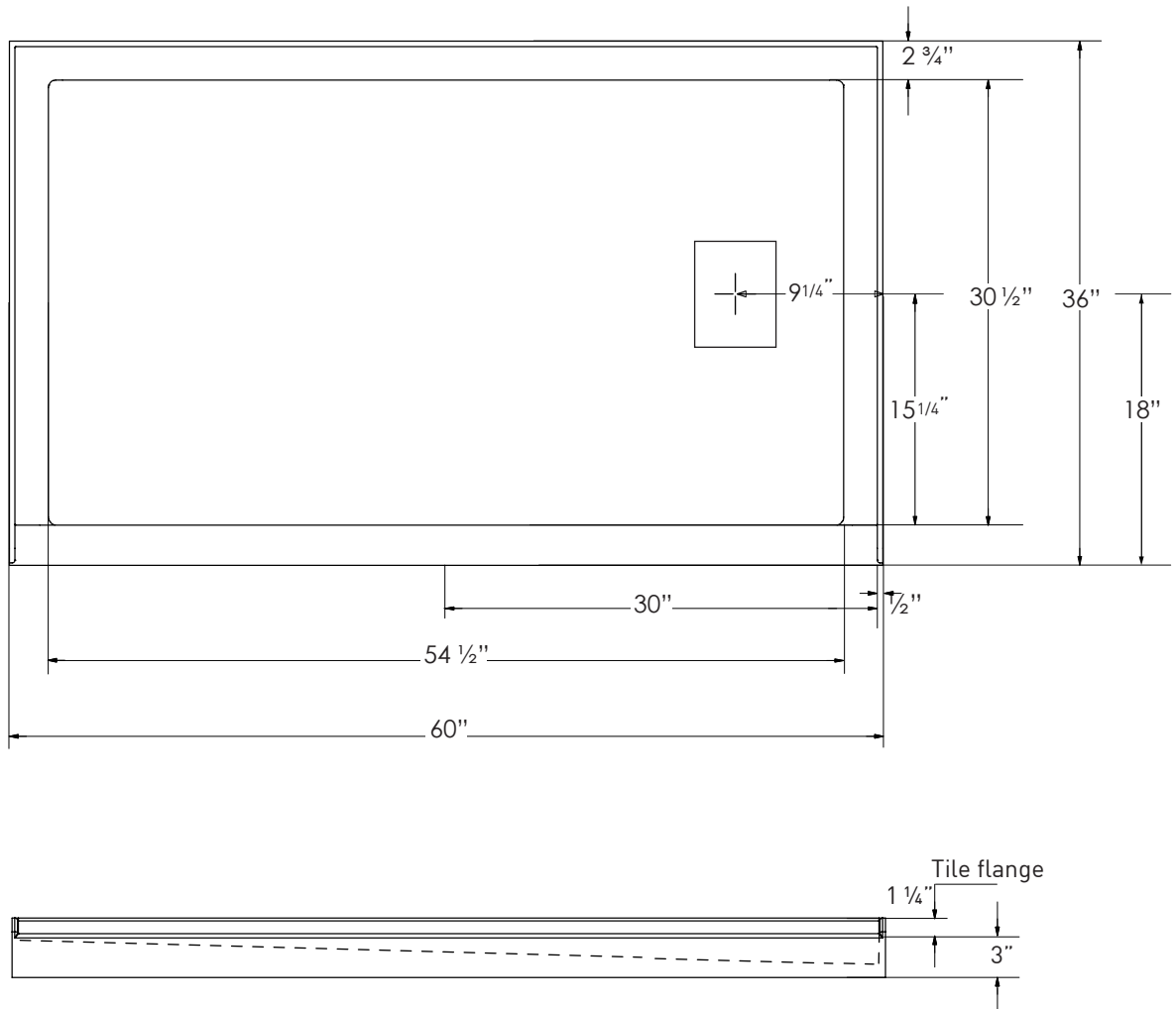


FOR INFORMATION
OR TO PLACE AN ORDER
CALL 1.800.288.7771

CARTER

60" x 36" x 3"

SB--6036



SHIPPING WEIGHT 58lbs.

Installation: Measure shower base prior to installation. For best results, Jetta Corporation recommends 1"-3" of mortar bedding under the tub base for maximum support. Dimensional variance on drawings may be +/- 1/2 inch and are subject to change without notice.



JETTACORP.COM

© 2020 Jetta Corporation. All rights reserved. Specifications are subject to change without notice. REV 10/2020