



JETTA
AIR HYDROTHERAPY



Cosmo Collection

CELESTE

(J811) 59" x 32" x 23"

APPROX. OPERATING GALLONS: 66
AIR INJECTORS: 32

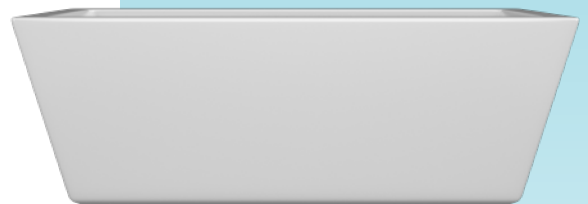
- Sleek, contemporary look
- High-gloss / high-impact acrylic
- Leveling feet
- Integrated linear waste & overflow
 - Standard Chrome
 - White available

SYSTEM

- Seamless air injectors around tub perimeter
- Highly variable speed blower motor with 600 watt heater:
115 Volt - 10 Amps - 1 HP
- Blower must be remote mounted at installation
- Electronic keypad control with variable speeds and
3 settings - Pulse, Wave, or Continuous

COLORS AVAILABLE

White



COSMO ABOVE FLOOR DRAIN KIT

- Freestanding tub rough-in
- Install before tile
- Designed to be installed in a 8" to 10" joist space
- Can be installed with waterproof membrane

Sold separately.
Not required for tub install



JETTAIR

FOR INFORMATION OR
TO PLACE AN ORDER
CALL 1.800.288.7771


JETTACORP.COM

TECHNICAL SPECIFICATIONS

CELESTE J811

59" x 32" x 23" RECTANGLE AIR

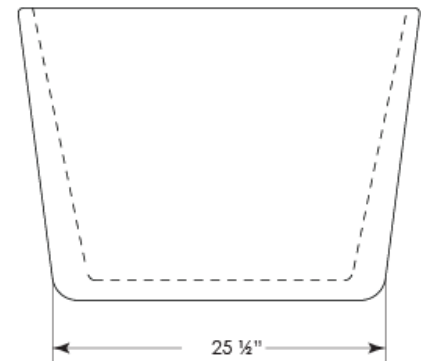
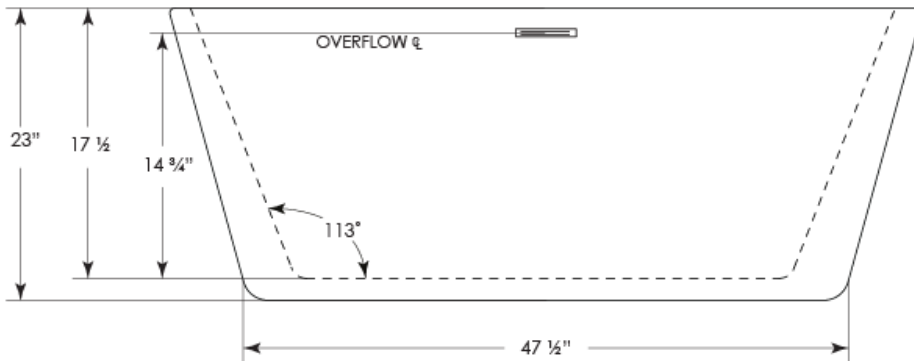
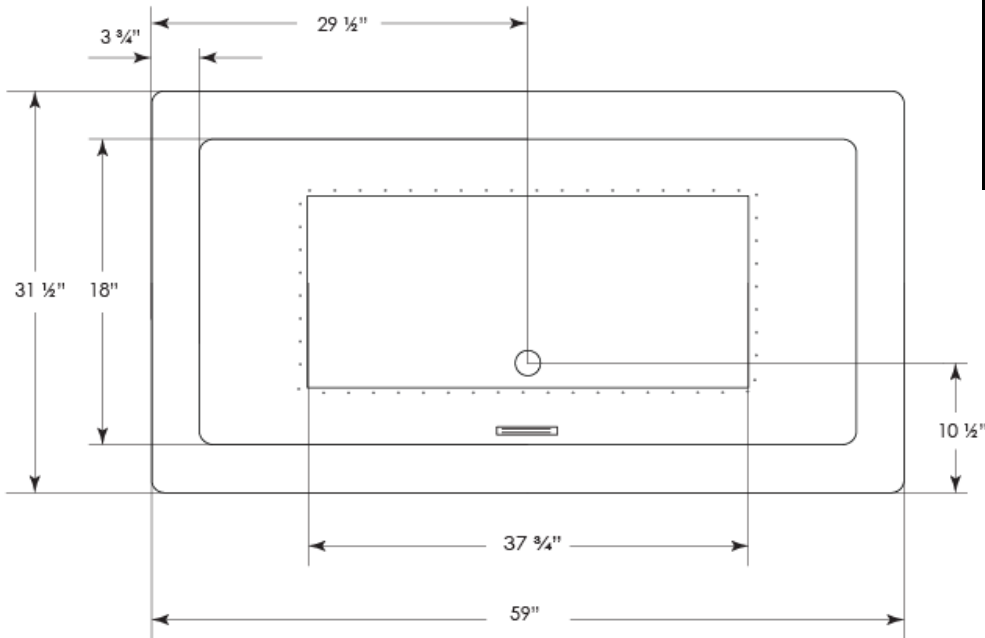
ELECTRICAL SPECIFICATIONS

Required Electrical Service 110/115 Volts
Standard Air 20 amp GFI

Each blower must be protected by a
dedicated GFI breaker (refer to local
Cannot be more than 15 ft from the tub.

CODES/STANDARDS APPLICABLE

Specific model meets or exceeds the requirements for
the following standards: ANSI, ASME



JETTA

JETTACORP.COM

INSTALLATION: Measure tub before installing.
Dimensional variance on drawings may be +/- 1/2 inch
and are subject to change without notice

© 2022 Jetta Corporation. All rights reserved.
Specifications are subject to change without notice.

REV 02/2022