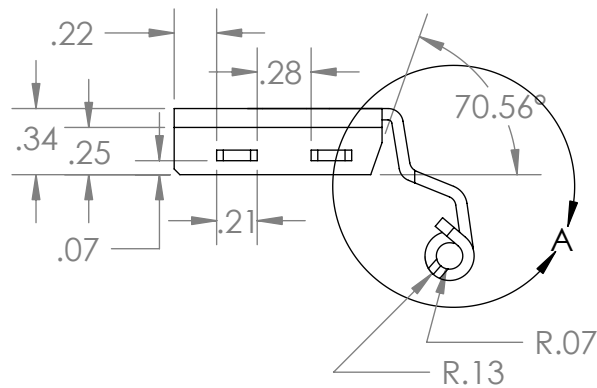
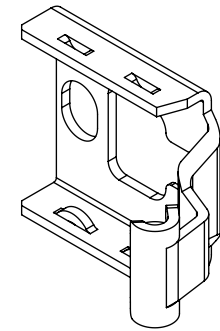
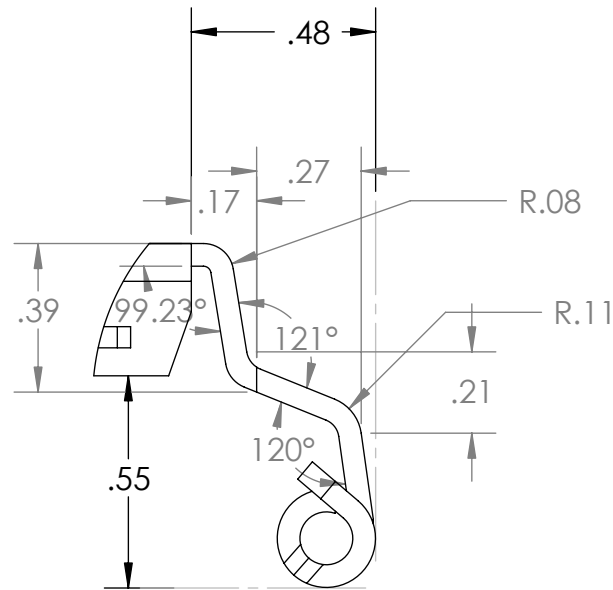
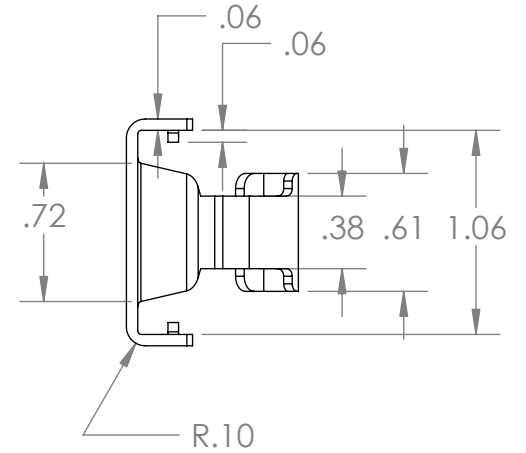
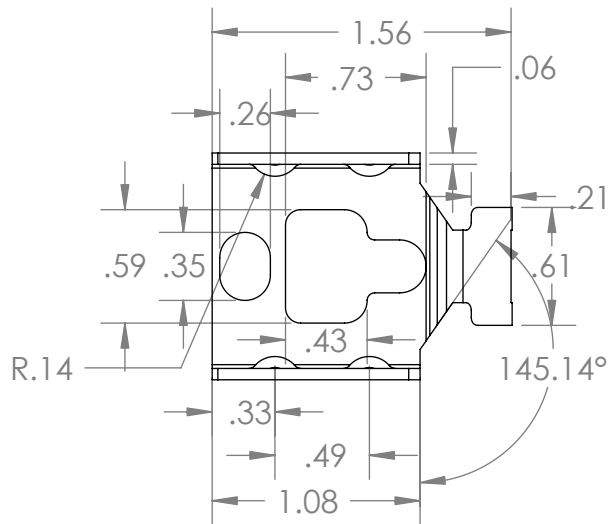


Hardware  
**HR** Resources  
 HARDWARE RESOURCES  
 4319 MARLENA ST, BOSSIER CITY, LA71111

TOLERANCES  
 OVER ALL LENGTH ±0.1MM  
 ANGLES ±0° 30'

PART NAME:		MATERIAL:	
ITEM NO: 3390-6-000	REV:	PLATING:	
DATE: 04/02/07	SHEET: 1/3	BY: UBN	



DETAIL A  
SCALE 2 : 1

Hardware  
**HR**  
Resources

HARDWARE RESOURCES  
4319 MARLENA ST, BOSSIER CITY, LA71111

TOLERANCES

OVER ALL LENGTH  $\pm 0.1\text{MM}$   
ANGLES  $\pm 0^\circ 30'$

PART NAME:

ITEM NO:

REV:

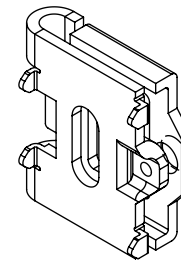
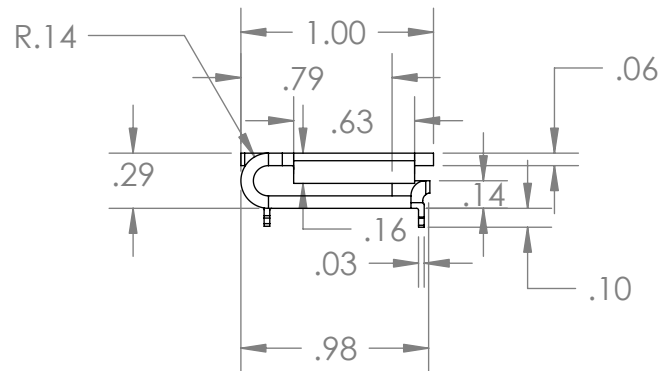
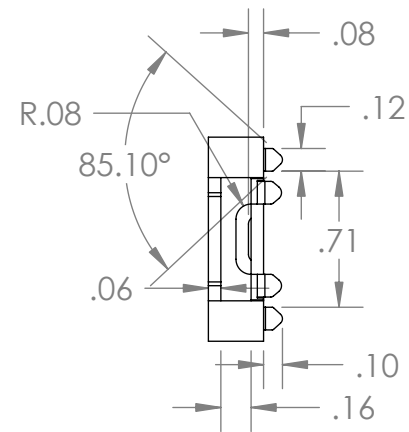
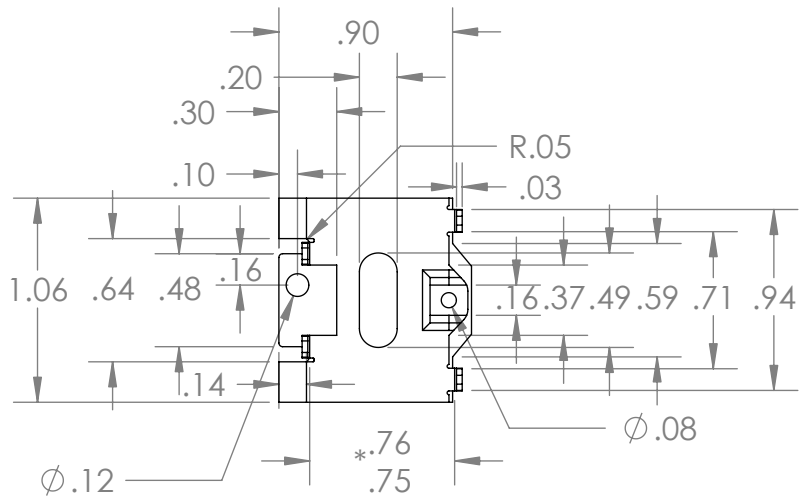
MATERIAL:

DATE:

SHEET: 2/3

BY: UBN

PLATING:



Hardware  
**HR**  
 Resources

HARDWARE RESOURCES  
 4319 MARLENA ST, BOSSIER CITY, LA71111

TOLERANCES

OVER ALL LENGTH  $\pm 0.1\text{MM}$   
 ANGLES  $\pm 0^\circ 30'$

PART NAME:

ITEM NO:

REV:

MATERIAL:

DATE:

SHEET: 3/3

BY: UBN

PLATING: