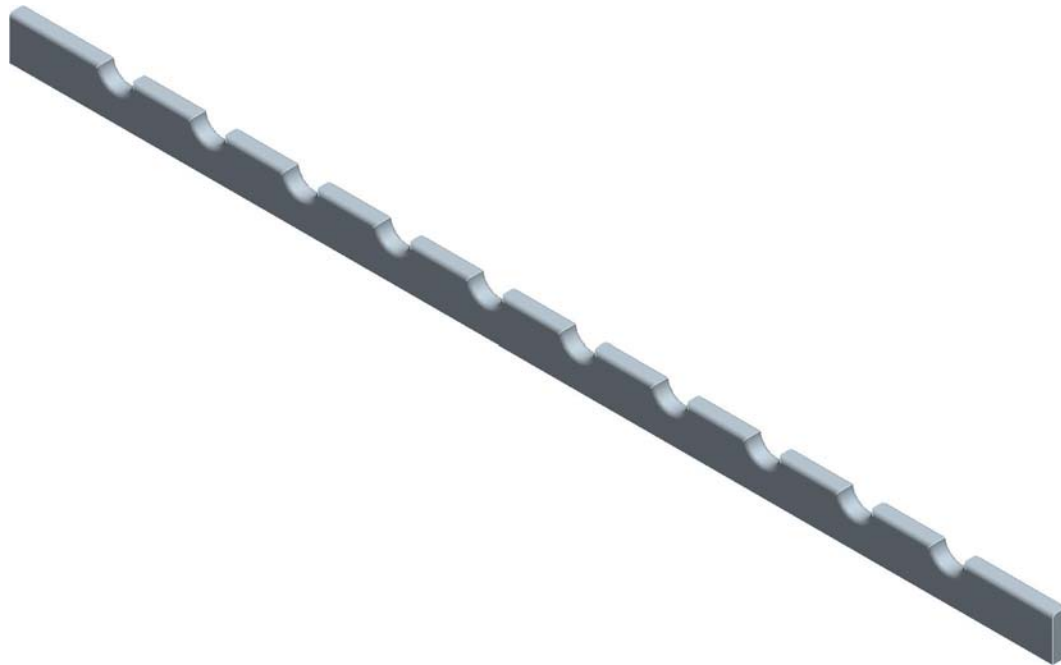
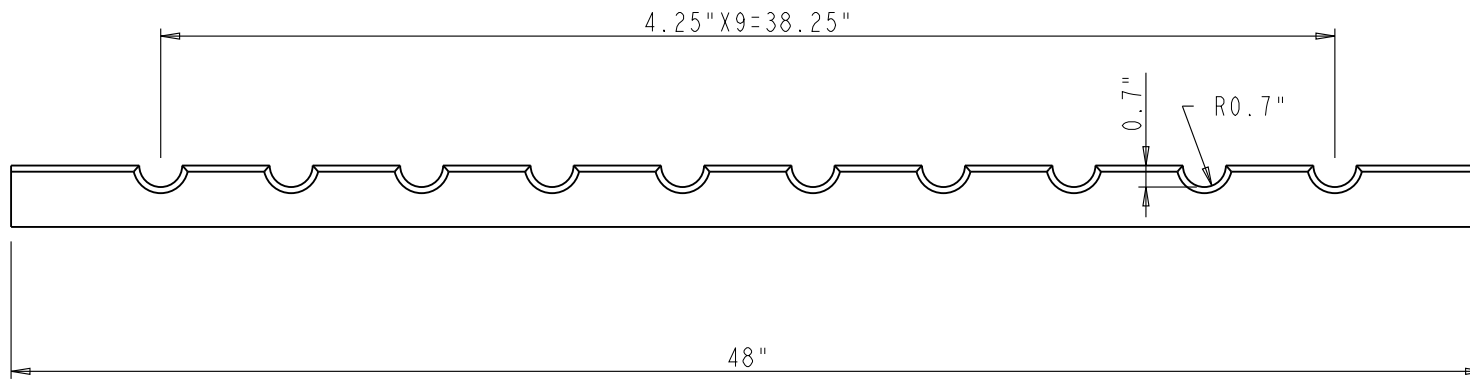


Contents of Box:  
 1-Large Scalloped Rail  
 1-Small Scalloped Rail  
 2-Adhesive Strips  
 (38x19x1.2mm 双面胶)

<b>HARDWARE</b> <b>HR</b> 4319 MARLENA ST. BOSSIER CITY, LA 71111 <b>RESOURCES</b>	<b>ITEM#:</b> BR48-LARGE	<b>MATERIAL:</b> Hard Maple
	<b>FINISH:</b>	<b>WEIGHT:</b> g
<b>PROPRIETARY AND CONFIDENTIAL</b> THE INFORMATION CONTAINED IN THIS DRAWING IS THE SOLE PROPERTY OF HARDWARE RESOURCES INC. ANY REPRODUCTION IN PART OR AS A WHOLE WITHOUT THE WRITTEN PERMISSION OF HARDWARE RESOURCES INC. IS PROHIBITED.	<b>TOLERANCE UNLESS OTHERWISE SPECIFIED:</b> X : MM ±0.20 XX : MM ±0.10 XXX : MM ±0.05 ANGULAR : ±0.5° DO NOT SCALE DRAWING	<b>PROJECTION:</b> 
	<b>UNIT:</b>	<b>DRAWN BY:</b> <i>alan.liu</i>
	<b>SIZE:</b>	<b>CHECKED BY:</b>
		<b>APPROVED BY:</b>
		<b>DATE:</b>



<b>HARDWARE</b> <b>HR</b> 4319 MARLENA ST. BOSSIER CITY, LA 71111 <b>RESOURCES</b> <b>PROPRIETARY AND CONFIDENTIAL</b> THE INFORMATION CONTAINED IN THIS DRAWING IS THE SOLE PROPERTY OF HARDWARE RESOURCES INC. ANY REPRODUCTION IN PART OR AS A WHOLE WITHOUT THE WRITTEN PERMISSION OF HARDWARE RESOURCES INC. IS PROHIBITED	<b>ITEM:</b> BR48-SMALL	<b>MATERIAL:</b>
	<b>FINISH:</b>	<b>WEIGHT:</b> 9
<b>TOLERANCE UNLESS OTHERWISE SPECIFIED:</b> X : MM ±0.20 X.X : MM ±0.10 X.XX : MM ±0.05 ANGULAR : ±0.5° DO NOT SCALE DRAWING	<b>UNIT:</b>	<b>DRAWN BY:</b> <i>alan.liu</i>
	<b>SIZE:</b>	<b>CHECKED BY:</b>
		<b>APPROVED BY:</b>
		<b>DATE:</b>
		<b>DATE:</b>