

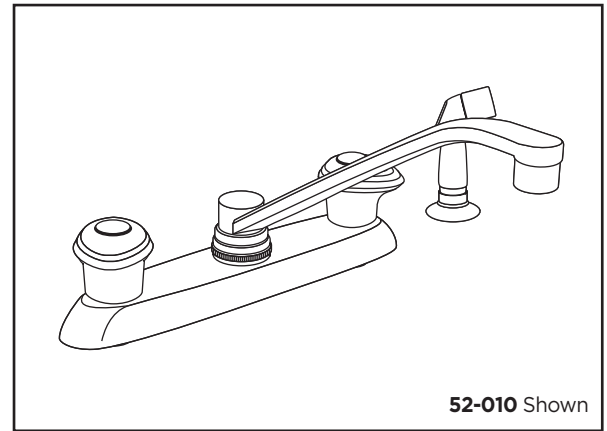


GERBER

52-000 Series Gerber Hardwater® Two Handle Kitchen Faucet

Features:

- Ceramaflow ceramic disc cartridges
- Cast brass, heavy chrome plated body
- Working parts can be easily replaced
- 10" D-Tube spout
- 8" centers for mounting
- 2.2 gpm (8.3 L/min) @ 60 psi maximum aerator
- 1/2" NPSM supply connections with brass coupling nuts



52-010 Shown

Standards & Certifications:

- ASME A112.18.1M
- NSF/ANSI 372
- ICC/ANSI A117.1
- IAPMO/cUPC
- MASS code

Catalog Numbers:

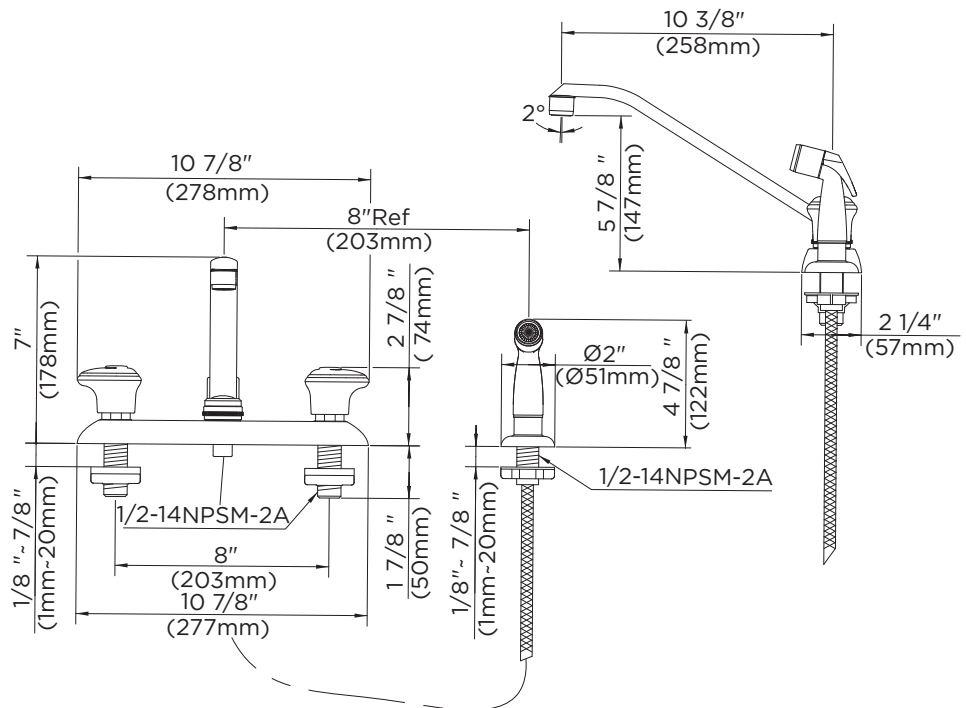
- 52-000 Less spray (Chrome)
- 52-010 With spray (Chrome)

Prefixes Available:

None

Suffixes Available:

None



Job Name	
Date	
Model Specified	
Quantity	
Customer	
Contractor	
Architect/engineer	

Gerber Toll Free Technical Support: 888-648-6466
www.gerberonline.com