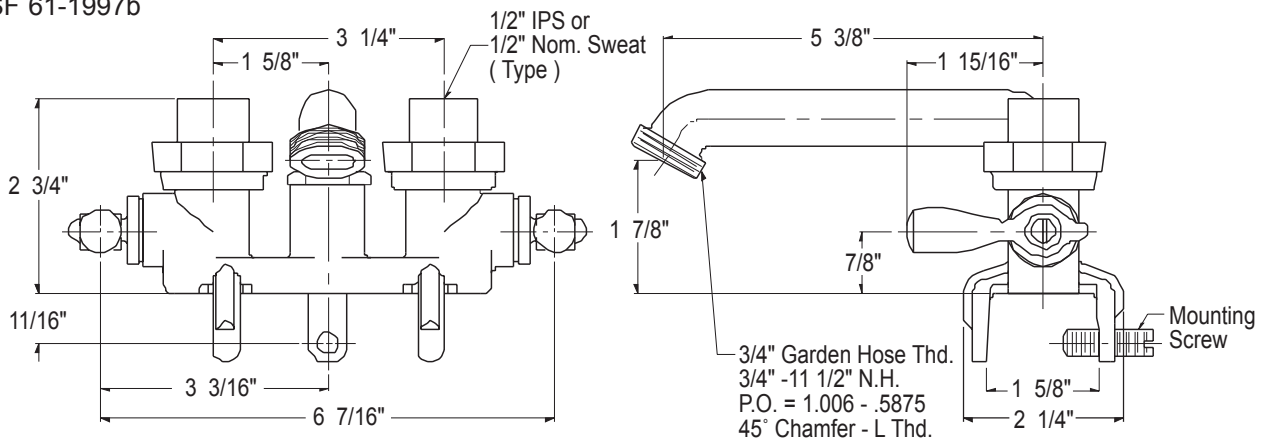
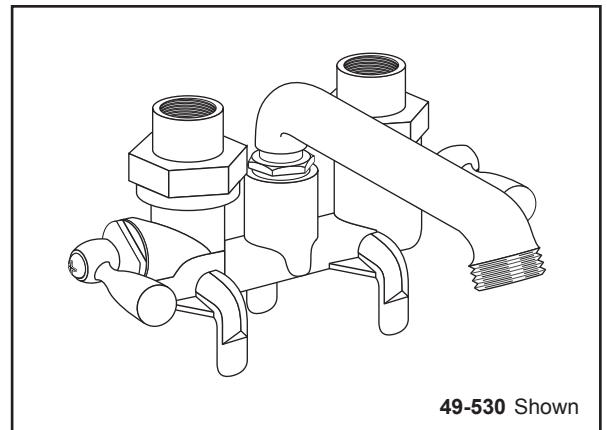


**Features:**

- Cast brass body – rough brass finish
- Attached metal handles
- Compression valves
- Working parts can be easily replaced
- Cast spout with hose connection
- Clamp-on mounting
- 1/2" IPS or 1/2" nominal copper sweat connections

**Technical Specifications:**

- ASME A112.18.1M
- CABO/ANSI A117.1 (ADA)
- CSA B125
- ANSI/NSF 61-1997b



**Catalog Numbers:**

- 49-530 IPS/Sweat, Rough Brass
- 49-531 Direct Sweat, Rough Brass
- 49-535 IPS/Sweat, Rough Brass
- 49-536 Direct Sweat, Rough Brass

**Prefixes Available:**

None

**Suffixes Available**

None

Job Name	
Date	
Model Specified	
Quantity	
Customer	
Contractor	
Architect/engineer	

GERBER®

PROFESSIONAL PERFORMANCE

Gerber Toll Free Technical Support: 888-648-6466  
www.gerberonline.com

