

SPECIFICATIONS


Features/Benefits

- Diverter on Valve
- Requires Gerber Treysta™ Rough-In, G00GS555S (Horizontal Inputs) or G00GS557S (Vertical Inputs), Sold Separately
- Includes Treysta™ Ceramic Disc Pressure Balance Cartridge
- Includes Parma® 4 1/2" 5 Function Showerhead, D460055
- 2.0 gpm (7.6 L/min) Max Flow @ 80 psi
- 6" Metal Shower Arm
- Accommodates Back-to-Back Installation
- Finish-Matched Deep Wall Kit, D113001, Sold Separately
- Finish-Matched Shallow Wall Kit, GA663B11, Sold Separately



Available Color/Finishes

Color **Description**

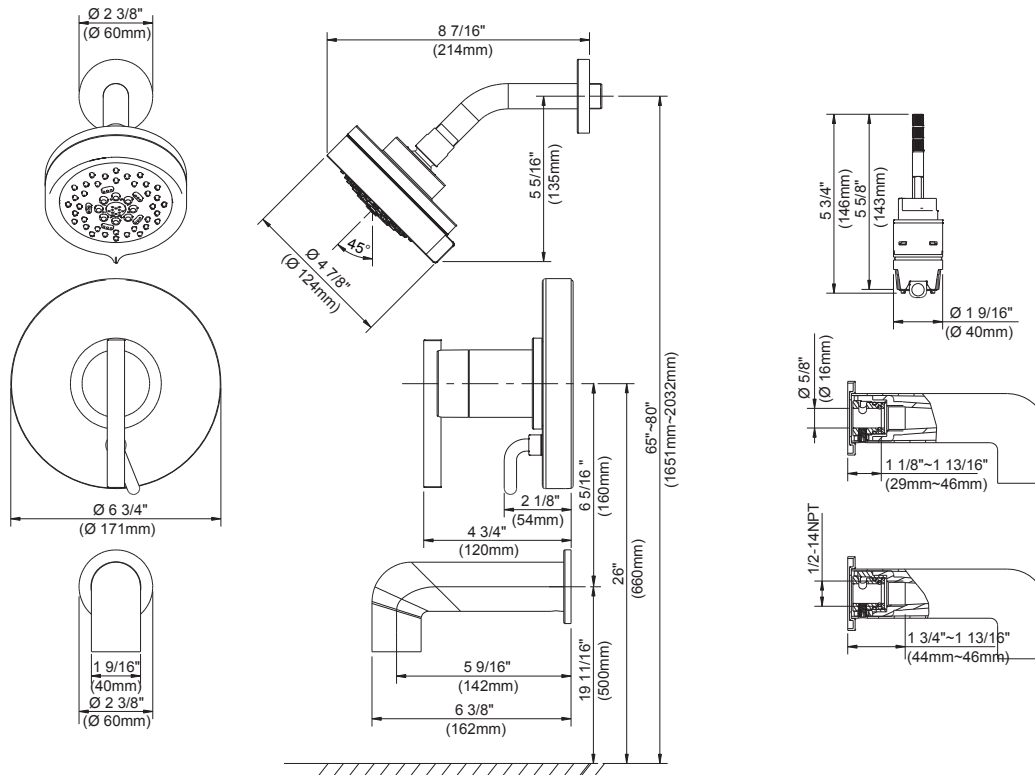
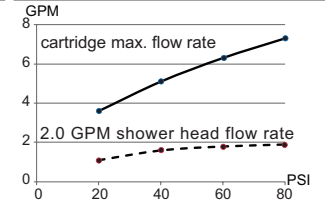
 **Chrome**

Please see danze.com or current price list for available finishes. Finish is defined by additional suffix.

Standards & Certifications



Flow Rate



Submittal Information:

Name: _____ Contractor: _____
 Location: _____ Contact #: _____