

SPECIFICATIONS

Features/Benefits



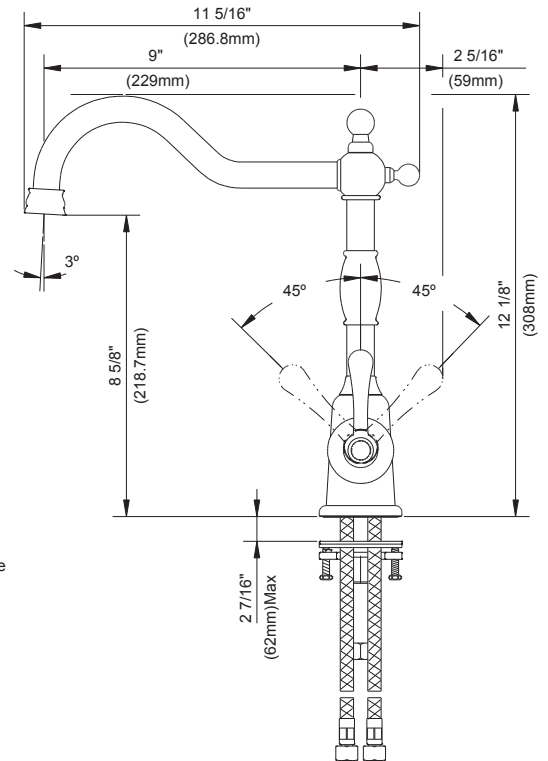
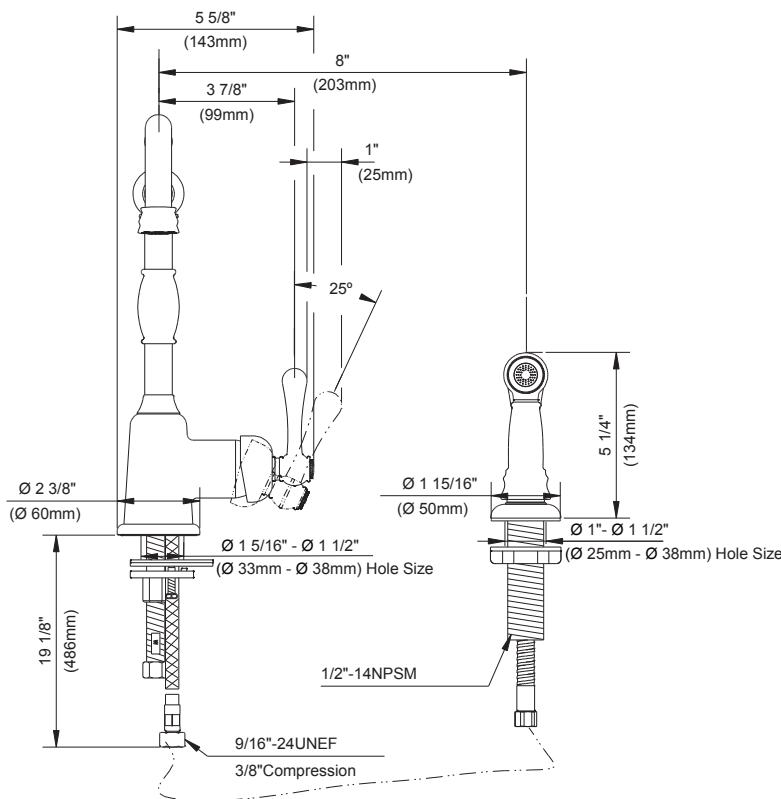
- 12 1/8" Spout Height, 9" Spout Reach
- 1.75gpm (6.6 L/min) Standard Using DA500186N Aerator
- Alternative Flow Rates Available with Spray / Aerated Water Stream
 - 1.5 gpm (5.7 L/min) When Used with DA500973N Aerator
- Includes Matching Side Spray
- Ceramic Disc Cartridge
- 360 Degree Swivel Spout
- 2-Hole Installation

Available Color/Finishes

Chrome

Please see gerberonline.com or current price list for available finishes. Finish is defined by additional suffix.

Standards & Certifications



Submittal Information:

Name: _____
Location: _____

Contractor: _____
Contact #: _____