



# GERBER

## 42-210-W Series Maxwell® Two Handle Kitchen Faucet

### Features:

- 3 or 4 hole installation
- Washerless cartridges GA66D091N
- Includes side spray or less spray
- 1.75 gpm (6.6 L/min) max Aeration / 2.2 gpm (8.3L/min) max Spray @ 60psi
- 8" centers for mounting
- Chrome plated cover plate
- 1/2" NPSM supply connection w/brass supply nuts
- Lead free waterway per NSF/ANSI 372
- Limited lifetime warranty
- Meets CEC requirements

### Standards & Certifications:

- ASME A112.18.1
- NSF/ANSI 372
- IAPMO/cUPC
- MASS Code

### Catalog Numbers:

**42-210-W** Less Spray, Chrome

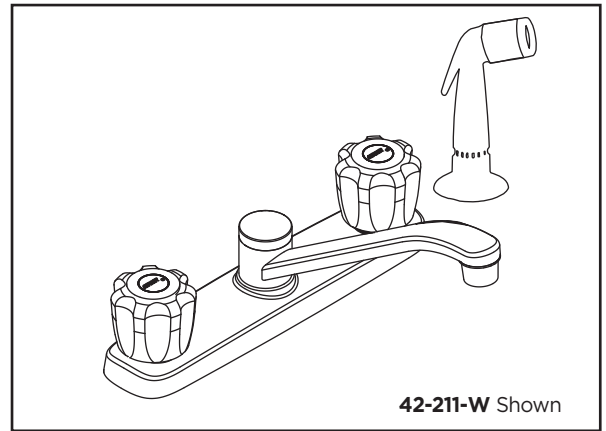
**42-211-W** With Spray, Chrome

### Prefixes Available:

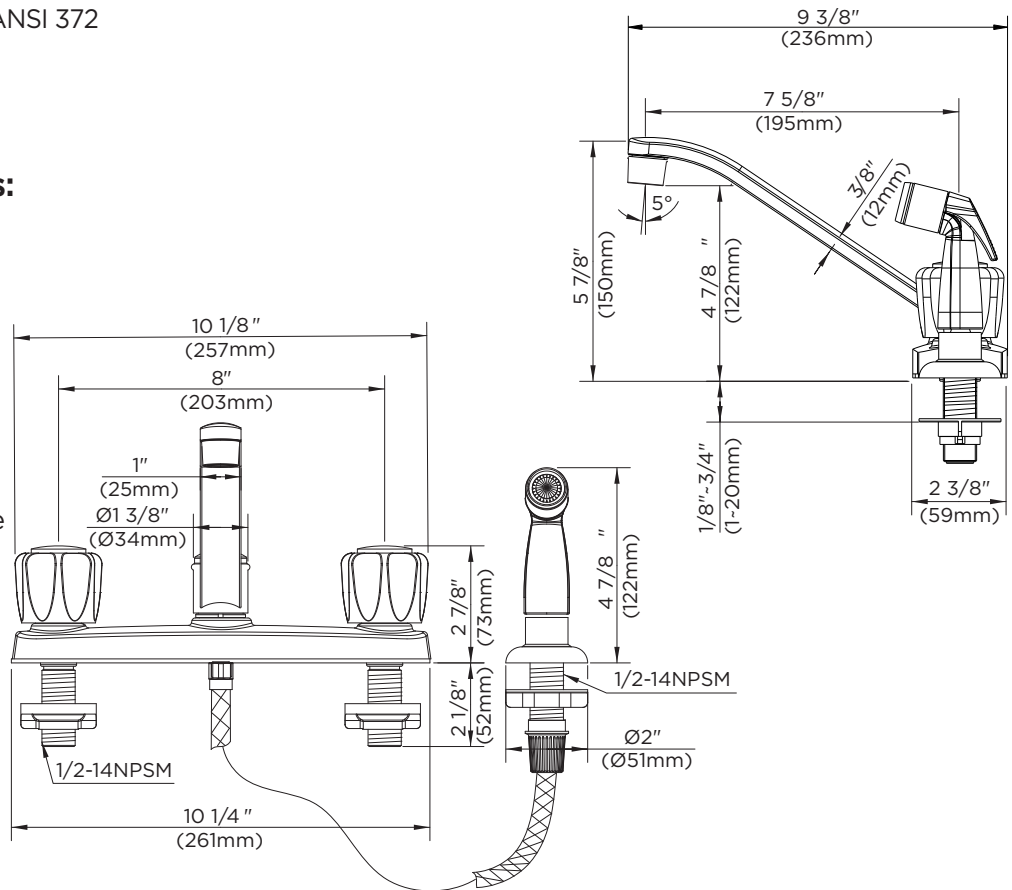
None

### Suffixes Available:

W: Washerless



42-211-W Shown



Job Name	
Date	
Model Specified	
Quantity	
Customer	
Contractor	
Architect/engineer	

Gerber Toll Free Technical Support: 888-648-6466  
www.gerberonline.com