



California Faucets®

CHRISTOPHERGRUBB Collection

Trousdale™

Roman Tub Set

Features

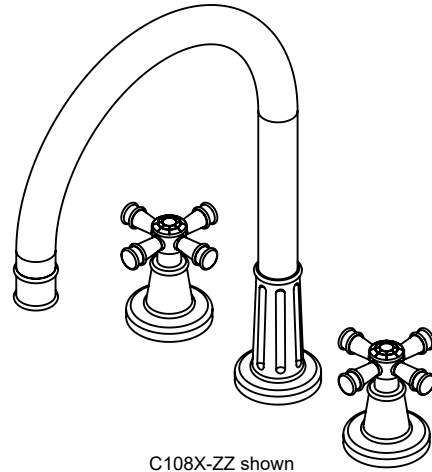
- Available in 28 finishes including 13 PVD finishes
- All brass construction
- Max flow rate: 16 gpm (60.6 L/min)
- Includes rough in valves
- 1/4 turn ceramic disc cartridge(s)

C108X C108XS

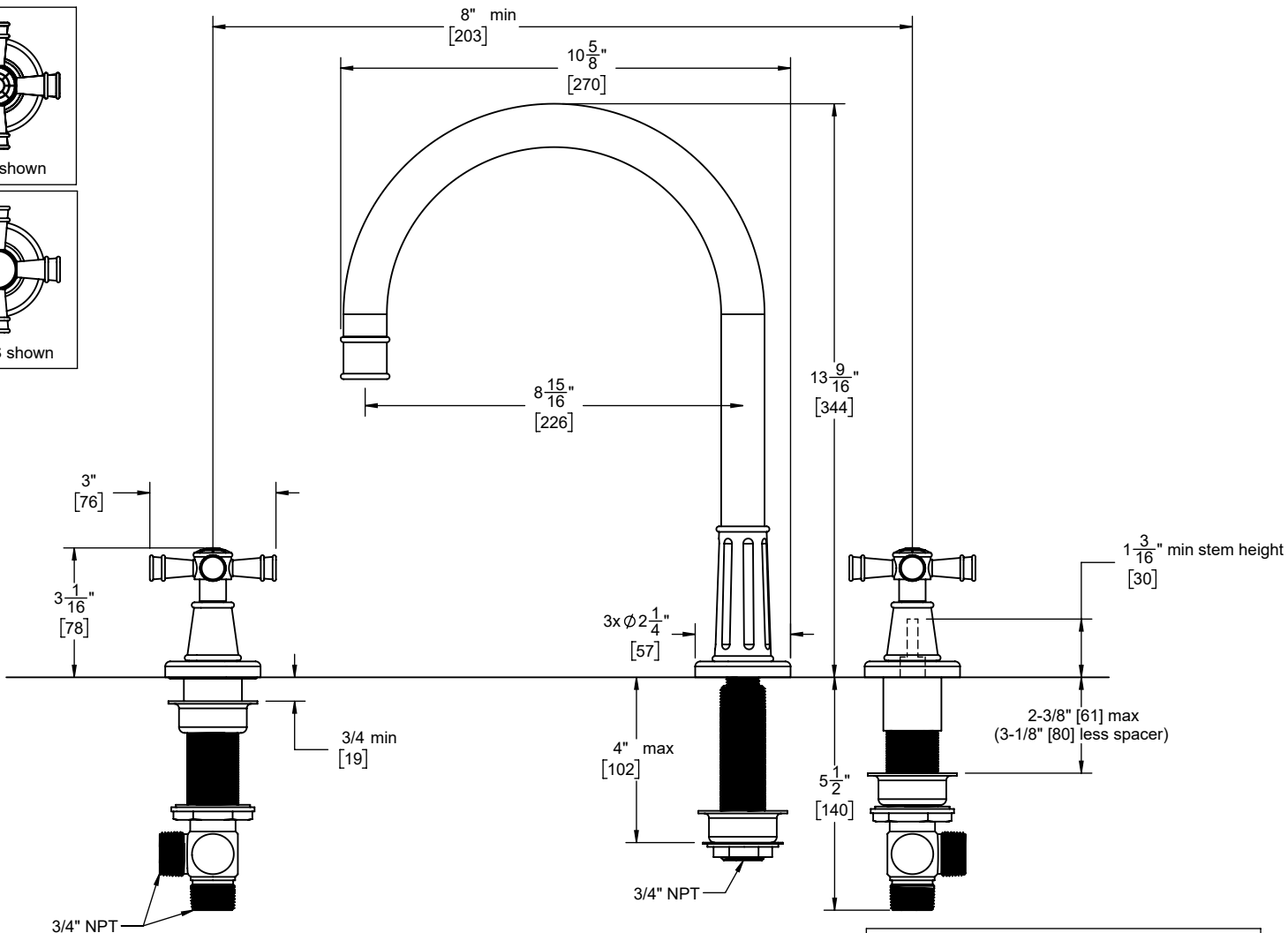
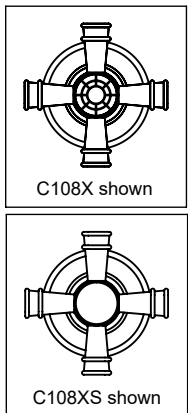
Codes/Standards Applicable

Product meets or exceeds the following:

- ASME A112.18.1/CSA B125.1
- Commonwealth of MA
- Local codes may require installation of an upstream tempering valve



C108X-ZZ shown



Through-Hole Specifications

	Min	Recommended	Max
Spout: Ø	1-1/16" [27]	Ø 1-3/8" [35]	Ø 1-1/2" [38]
Valve: Ø	1-3/8" [35]	Ø 1-1/2" [38]	Ø 1-1/2" [38]

Dimensions are inches, rounded to 1/16"
[Dimensions in brackets are mm, rounded to 1mm]

Specifications subject to change without notice