

Commercial PowerStor Series[®] Single-Wall Indirect Water Heater



Photo is of
SW-80C-5

The PowerStor Series[®] Single-Wall Models feature:

- **Heat Exchanger**—Single-Wall 1½" O.D. glass coated (Vitraglas[®]) carbon steel coil. The coil has a heat transfer area of 27.2 sq. ft. (2.5m²) and a stored water volume of 5.0 Gal. (19L). Maximum supply temperature from the boiler must not exceed 240°F (116°C).
- **Factory Installed Hydrojet[®] Total Performance System**—Sediment reducing device that also increases first hour delivery of hot water while minimizing temperature build-up in tank.
- **Vitraglas[®] Lining**—An exclusively engineered enamel formula that provides superior tank protection from the highly corrosive effects of hot water. This formula (Vitraglas[®]) is fused to the steel surface by firing at a temperature of over 1600°F (871°C).
- **Immersed Adjustable Honeywell Aquastat**—Fast acting immersion aquastat for automatic temperature control.
- **Supply and Return Connections**—1" (25mm) NPT female connections are located on the front for both the boiler collector supply and return.
- **Insulation System**—2" (51mm) Non-CFC foam insulation covers the sides and top of the tank, reducing heat loss. This results in less energy consumption, improved efficiencies, and jacket rigidity.
- **Potable Water Connections**—1" (25mm) NPT factory installed true dielectric fittings extend water heater life and eases installation.
- **Three Protective Aluminum Anode Rods**—Provide added protection against corrosion for long trouble-free service.
- **T&P Relief Valve**—Installed.
- **Low Restriction Brass Drain Valve**—Tamper proof design.
- **AHRI Certified**—These water heaters are rated by the Air-Conditioning, Heating, and Refrigeration Institute to provide accurate performance data within the standards of the certification. This certification provides a recognized standard for proper comparison of hydronic appliances.



5-Year Limited Tank Warranties / 1-Year Limited Warranty on Component Parts.

For more information on warranty, please visit www.bradfordwhite.com

For products installed in USA, Canada, and Puerto Rico. Some states do not allow limitations on warranties. See complete copy of the warranty included with the heater.

MANUFACTURED UNDER ONE OR MORE OF THE FOLLOWING U.S. PATENTS: 5,682,666; 7,634,976; 5,660,165; 5,954,492; 6,056,542; 6,935,280; 5,372,185; 5,485,879; 5,574,822; 7,971,560; 7,992,526; 6,684,821; 7,334,419; 7,866,168; 7,270,087; 7,007,748; 5,596,952; 6,142,216; 7,699,026; 5,341,770; 7,337,517; 7,665,211; 7,665,210; 7,063,132; 7,063,133; 7,559,293; 7,900,589; 5,943,984; 8,082,888; 5,988,117; 7,621,238; 7,650,859; 5,761,379; 7,409,925; 5,277,171; 8,146,772; 7,458,341; 2,262,174. OTHER U.S. AND FOREIGN PATENT APPLICATIONS PENDING. CURRENT CANADIAN PATENTS: 2,314,845; 2,504,824; 2,108,186; 2,143,031; 2,409,271; 2,548,958; 2,112,515; 2,476,685; 2,239,007; 2,092,105; 2,107,012. PowerStor Series[®], Vitraglas[®] and Hydrojet[®] are registered trademarks of Bradford White[®] Corporation.

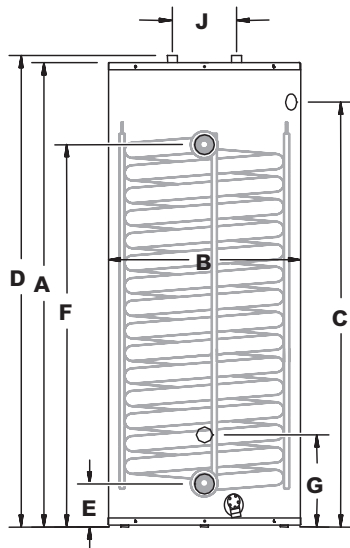
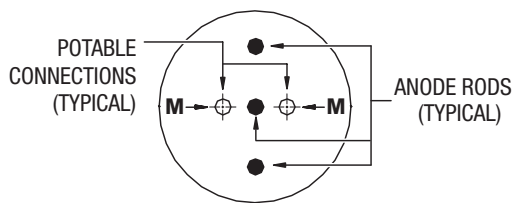
Commercial PowerStor Indirect Water Heater

Single Wall Models

Meet or exceed ASHRAE 90.1b (current standard)

Model Number	Nominal Gal. Capacity		A	B	C	D	E	F	G	J	M	Approx. Shipping Weight
	U.S. Gal.	Imp. Gal.	Floor to Top of Heater	Jacket Dia.	Floor to T&P Conn.	Floor to Water Conn.	Floor to Exchanger Outlet	Floor to Exchanger Inlet	Floor to Aquastat	C/L of Water Conn.	Water Conn. NPT	
			in.	in.	in.	in.	in.	in.	in.	in.	in.	lbs.
SW-65C-5	54	45	59 ¹ / ₄	22	53 ¹ / ₈	60	5 ⁹ / ₈	47 ³ / ₄	11 ¹ / ₂	8	1	273
SW-80C-5	67	56	59	24	52 ⁷ / ₈	59 ³ / ₄	5 ⁹ / ₈	47 ³ / ₄	11 ¹ / ₂	8	1	300
SW-120C-5	107	89	62 ¹ / ₂	28 ¹ / ₄	55 ³ / ₄	63 ¹ / ₄	6 ⁹ / ₈	48 ³ / ₄	11 ¹ / ₂	8	1	422

Model Number	Nominal Liter Capacity		A	B	C	D	E	F	G	J	M	Approx. Shipping Weight
			Floor to Top of Heater	Jacket Dia.	Floor to T&P Conn.	Floor to Water Conn.	Floor to Exchanger Outlet	Floor to Exchanger Inlet	Floor to Aquastat	C/L of Water Conn.	Water Conn. NPT	
			mm.	mm.	mm.	mm.	mm.	mm.	mm.	mm.	mm.	kg.
SW-65C-5	204	1505	1505	559	1349	1524	137	1213	292	203	25	124
SW-80C-5	254	1499	1499	610	1343	1518	137	1213	292	203	25	136
SW-120C-5	405	1588	1588	718	1416	1607	162	1238	292	203	25	191



AHRI Certified Water Heater Ratings

Model Number	First Hour Delivery @ 135°F (Gal.)	Continuous Draw Rating @ 135°F (Gal./Hr.)	Standby Heat Loss Rating (°F/Hr.)	Minimum Output Rate of Heat Source (BTU/Hr.)	Minimum Heat Source Flow Rate (Gal./Min.)
SW-65C-5	405	370	0.7	245,000	14.0
SW-80C-5	415	370	0.6	245,000	14.0
SW-120C-5	445	370	0.4	245,000	14.0

These certified ratings were obtained with a heat source output rate and flow rate as specified and a 180°F (82°C) boiler water supply temperature. Other results will be obtained under different conditions.

DOE Water Heater Performance

Model Number	Maximum First Hour Rating (Gal.) @		Continuous Draw Rating (Gal./Min.) @		Approximate Boiler Output Needed for Rating (BTU/Hr.)
	140°F	115°F	140°F	115°F	
SW-65C-5	534	820	8.0	12.8	420,000
SW-80C-5	546	834	8.0	12.8	420,000
SW-120C-5	583	871	8.0	12.8	420,000

Based on 200°F (93°C) boiler water temperature and 50°F (10°C) potable water inlet.

Heat Exchanger Head Loss

GPM	5	8	10	12	14
Ft. of Hd. Loss	0.64	1.63	2.55	3.67	5.00

General

All units are certified at 300 PSI (2068 kPa) test pressure and 150 PSI (1034 kPa) working pressure. All potable water connections are 1" NPT (25mm) on 8" (203mm) centers.

Dimensions and specifications subject to change without notice in accordance with our policy of continuous product improvement.

Suitable for Water (Potable) Heating and Space Heating.

Toxic chemicals, such as those used for boiler treatment, shall NEVER be introduced into the potable side of this system. The potable side may NEVER be connected to any existing heating system or component(s) previously used with a non-potable water heating appliance.

— BRADFORD WHITE IS —



For field service, contact your professional installer or local Bradford White sales representative.

Sales 800-523-2931 ■ Fax 215-641-1612

Technical Support 800-334-3393 ■ Email techserv@bradfordwhite.com

Warranty 800-531-2111 ■ Email warranty@bradfordwhite.com

International: Telephone 1-215-641-9400 ■ Email international@bradfordwhite.com / www.bradfordwhite.com

Built to be the Best™