

DOLAN FREESTANDING TUB FILLER

Cat. No.
7922



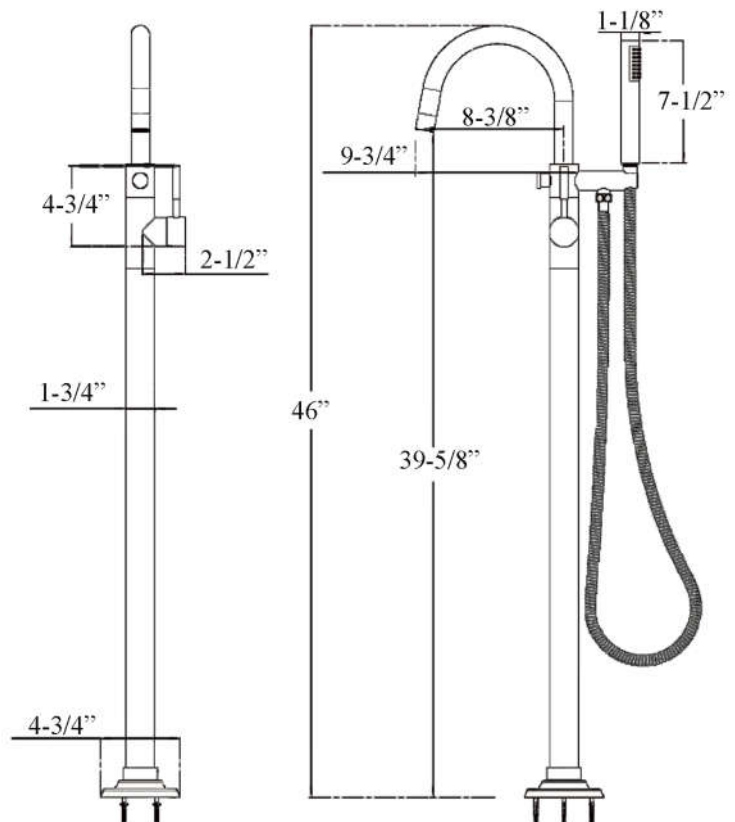
W: 4-³/₄"
H: 46"

Features:

- ▶ Solid brass construction
- ▶ Spout reach is 8-³/₈"
- ▶ Gooseneck spout
- ▶ 1/2" NPT connection under floor
- ▶ Ceramic disc cartridge
- ▶ Includes 60" hose
- ▶ Handshower is 7-¹/₄" long
- ▶ Flow rate 5.92 GPM @ 80 psi
- ▶ Flow rate handshower 1.6 GPM
- ▶ Mounting plate mounts to wood or tile floor

Finishes:

CP Polished Chrome
BN Brushed Nickel
ORB Oil Rubbed Bronze



Use on concrete floors requires special installation. We recommend using a plumbing professional.

Dimensions are nominal and may vary. Dimensions and specifications subject to change without notice.