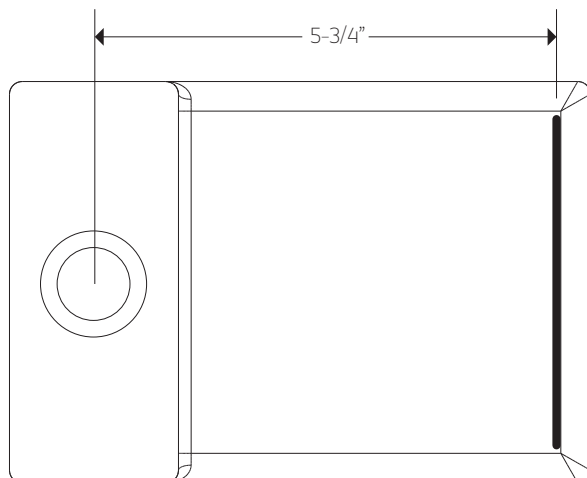
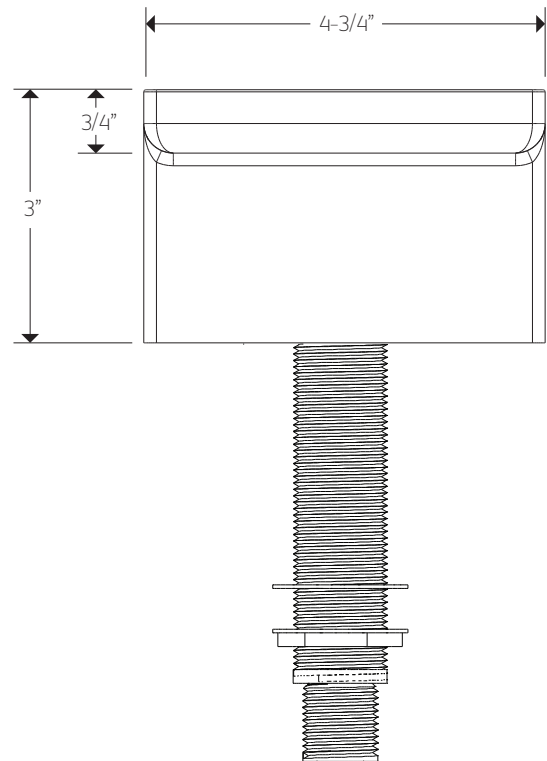
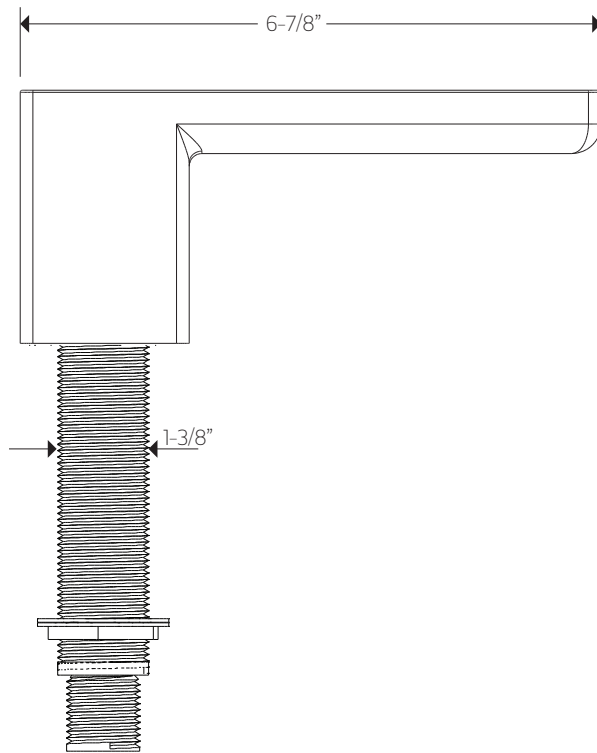




F402-2

TECHNICAL DATA SHEET

deck mount tub filler squ



artos[®]

F402-2

OPERATING SPECIFICATIONS

deck mount tub filler squ



FEATURES

Deck mount tub filler

OPERATING PRESSURE

Minimum: 15 psi

Maximum: 75 psi

Above 90psi it may be necessary to install a pressure reducer

FLOW RATE

12.0 USGPM